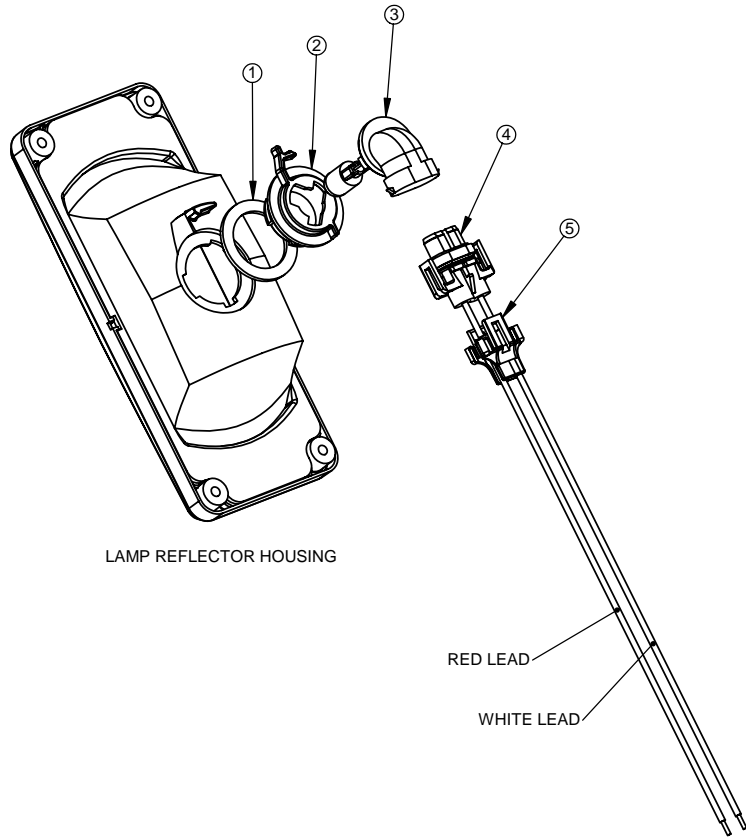


8 7 6 5 4 3 2 1

THIS DRAWING AND ALL INFORMATION CONTAINED HEREIN IS THE PROPERTY OF WELDON TECHNOLOGIES, INC. AND MAY NOT BE COPIED, REPRODUCED, OR DISSEMINATED TO UNAUTHORIZED PERSONS WITHOUT THE EXPRESS WRITTEN CONSENT OF WELDON TECHNOLOGIES, INC. AS IT IS BEING PROVIDED SOLELY FOR THE CONVENIENCE OF THE USER AND SHALL BE RETURNED TO WELDON TECHNOLOGIES, INC. UPON REQUEST.

REV		DESCRIPTION		DATE	BY	APVD
A	R0557	PRODUCT RELEASE		10/4/04	gd	ST



ADAPTER INSTALLATION INSTRUCTIONS:

- 1) DISCONNECT ALL POWER TO LAMPS BEFORE SERVICING.
- 2) REMOVE THE EXISTING LAMP AND SOCKET FROM THE REFLECTOR BY DEPRESSING THE LOCKING LEVER ON THE LAMP SOCKET AND ROTATING IT COUNTER-CLOCKWISE TO REMOVE IT.
- 3) CUT THE RED AND WHITE LEADS ON THE LAMP SOCKET BEING REPLACED SIX INCHES FROM THE LAMP SOCKET, AND DISCARD THE LAMP AND SOCKET.
- 4) STRIP THE ENDS OF THE LEADS TO EXPOSE ¼" OF WIRE, AND INSTALL AN INSULATED, BUTT-SPLICE TERMINAL (18-22 AWG) ON EACH LEAD.
- 5) LOCATE THE 886 LAMP, CABLE ASSEMBLY AND INSERT THE RED AND WHITE LEADS INTO THE BUTT-SPLICE TERMINALS INSTALLED IN STEP 4, AND CRIMP THEM IN PLACE. IT IS IMPORTANT TO ENSURE THAT THE COLORS ARE MATCHED BEFORE CRIMPING. (RED TO RED, WHITE TO WHITE)
- 6) SLIDE THE TPA LOCK ONTO THE REAR OF THE CONNECTOR UNTIL THE LOCK IS FULLY SEATED AND ENGAGED.
- 7) PLACE A LAMP-SOCKET SEAL ON THE 886 LAMP ADAPTER.
- 8) INSTALL THE LAMP ADAPTER BY INSERTING THE ADAPTER INTO THE LAMP REFLECTOR AND TURNING IT CLOCKWISE UNTIL THE ADAPTER IS LOCKED TO THE REFLECTOR HOUSING.
- 9) LOCATE THE 886 RIGHT-ANGLE HALOGEN LAMP AND INSERT IT INTO THE PREVIOUSLY INSTALLED LAMP ADAPTER BY TURNING IT CLOCKWISE UNTIL LOCKED.
- 10) PLUG THE 886 LAMP, CABLE ASSEMBLY, INSTALLED IN STEP 5, INTO THE LAMP'S RECEPTACLE.
- 11) REVIEW STEPS 1-9, AND CHECK FOR EXPOSED WIRES, LOOSE TERMINALS, AND WIRING ERRORS. CORRECT IF NECESSARY.
- 12) RESTORE POWER AND TEST THE LAMP.

ITEM	DESCRIPTION	PART NUMBER
1	LAMP SOCKET SEAL	OK30-0509-00
2	886 LAMP ADAPTER	OK80-1671-00
3	886 RIGHT-ANGLE, HALOGEN LAMP	OE22-1357-00
4	886 LAMP, CABLE ASSEMBLY	OL40-1805-00
5	TPA LOCK	OK18-1866-00

UNLESS OTHERWISE SPECIFIED DIMENSIONS ARE IN INCHES TOLERANCES ARE: XXX - ±0.005 XX - ±0.003 X - ±0.002 ANGLES - ±0.5°	CAD GENERATED DRAWING. DO NOT MANUALLY UPDATE		WELDON TECHNOLOGIES, INC.	
	APPROVALS	DATE	886 LAMP ADAPTER ASS'Y	
DRAWN	GD	1/13/05		
MATERIAL	CHECKED		SIZE PART NO. COK90-1806-00 REV A	
FINISH	DRAWN			
DO NOT SCALE DRAWING	MFG ENG		SCALE: 1:1 WELDON COMPUTER GRAPHICS SHEET 1 OF 1	
	PROJ. NO.			