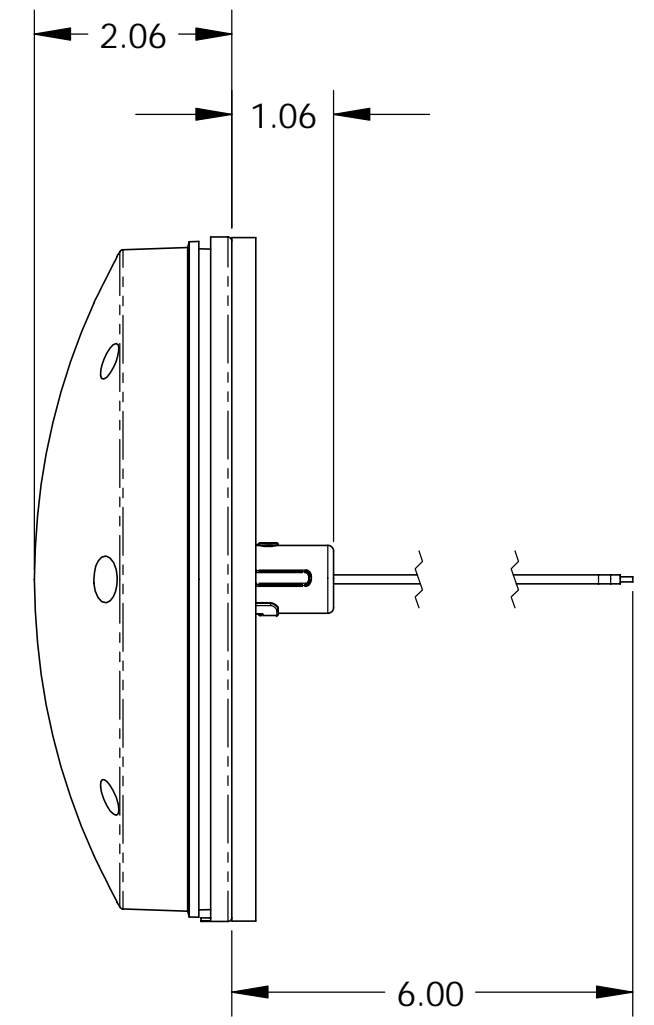
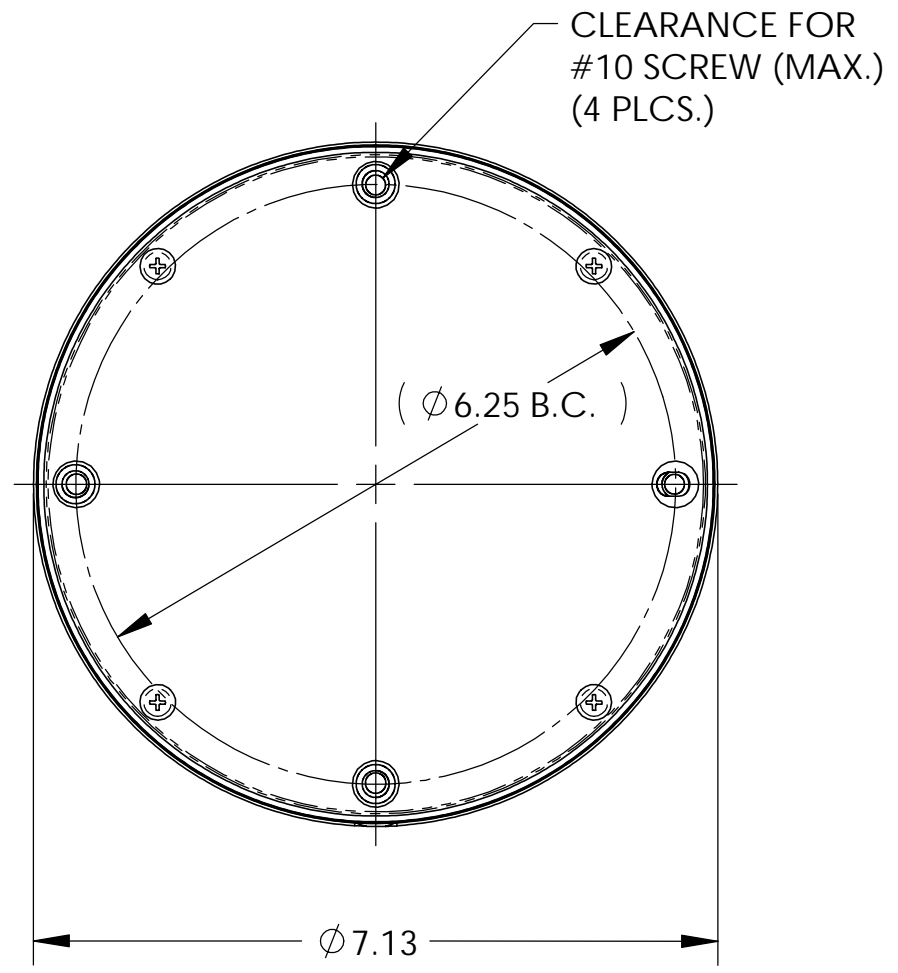


THIS DRAWING AND ALL INFORMATION CONTAINED HEREIN IS THE PROPERTY OF WELDON TECHNOLOGIES, INC. AND MAY NOT BE COPIED, REPRODUCED, OR DEVULGED TO UNAUTHORIZED PERSONS WITHOUT THE EXPRESS WRITTEN CONSENT OF WELDON TECHNOLOGIES, INC. AS IT IS BEING PROVIDED SOLELY FOR THE CONVENIENCE OF THE USER AND SHALL BE RETURNED TO WELDON TECHNOLOGIES, INC. UPON REQUEST.

REVISIONS					
REV.	ECN	DESCRIPTION	DATE	BY	APVD
A	R0455	RELEASE AS REFERENCE	9/2/03	TS	



NOTE:
SINGLE FILAMENT LAMP ASSEMBLY SHOWN. DIMENSIONS ARE SAME FOR DUAL FILAMENT LAMPS

UNLESS OTHERWISE SPECIFIED DIMENSIONS ARE IN INCHES TOLERANCES ARE: X.XXX - ±0.005 X.XX - ±0.020 X.X - ±0.050 ANGLES - ±0.5°	CAD GENERATED DRAWING, DO NOT MANUALLY UPDATE		WELDON TECHNOLOGIES, INC.	
	APPROVALS	DATE		
	DRAWN	TS 9/2/03	7" ROUND SURFACE MOUNT SINGLE/DUAL FILAMENT	
	CHECKED			
QUAL ENG				
MATERIAL	FINISH	MFG ENG	SIZE B	PART NO. C1000-1010
DO NOT SCALE DRAWING	PROJ. NO.	SCALE: 1:1	WELDON COMPUTER GRAPHICS	SHEET 1 OF 1