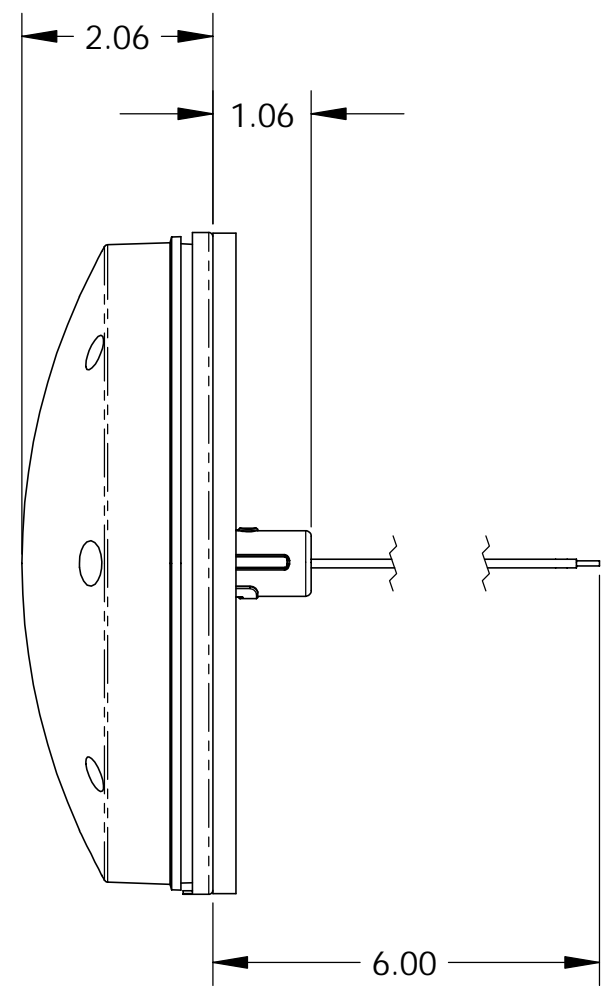
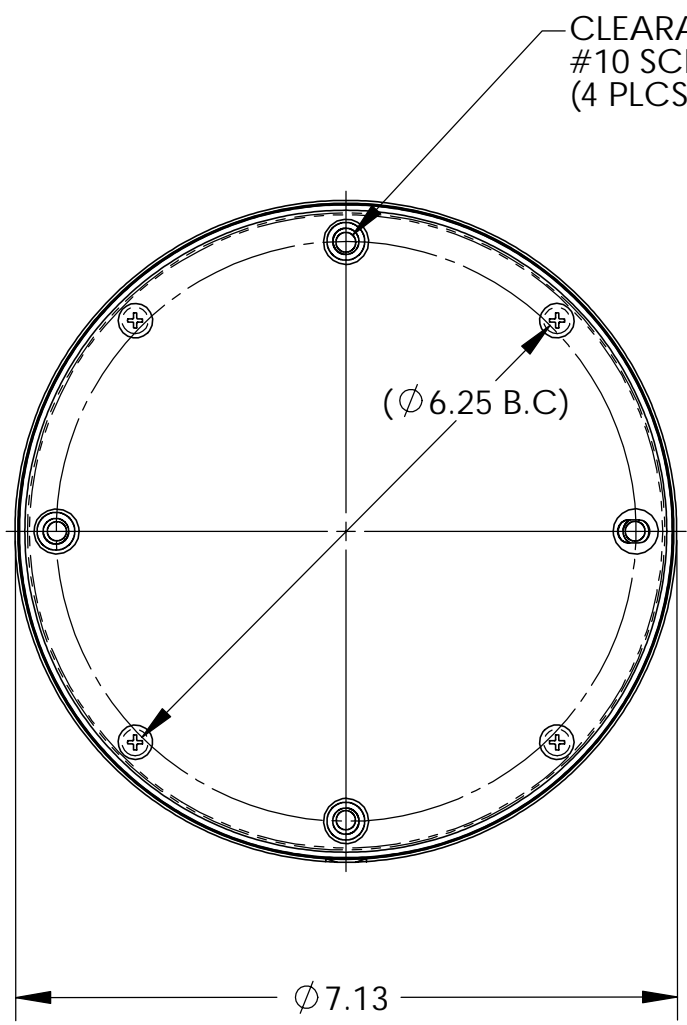


THIS DRAWING AND ALL INFORMATION CONTAINED HEREIN IS THE PROPERTY OF WELDON TECHNOLOGIES, INC. AND MAY NOT BE COPIED, REPRODUCED, OR DIVULGED TO UNAUTHORIZED PERSONS WITHOUT THE EXPRESS WRITTEN CONSENT OF WELDON TECHNOLOGIES, INC. AS IT IS BEING PROVIDED SOLELY FOR THE CONVENIENCE OF THE USER AND SHALL BE RETURNED TO WELDON TECHNOLOGIES, INC UPON REQUEST.

REVISIONS				
REV.	ECN	DESCRIPTION	DATE	BY APVD
A	R0455	RELEASE AS REFERENCE	9/2/03	TS



Service Part No.	Description	Qty.
1002-0000-10	Lens, Acrylic, Red w/ Arrow, 7" Round	1
1002-0000-20	Lens, Acrylic, Amber w/ Arrow, 7" Round	1
1014-0000-00	Gasket, Lens	1
1015-0000-00	Gasket, Mounting	1
9018-0013-00	Bulb, #1156, 32 CP	1
9028-0006-00	Screws, Lens, 7/16"	4

UNLESS OTHERWISE SPECIFIED DIMENSIONS ARE IN INCHES TOLERANCES ARE: X.XXX - \pm 0.005 X.XX - \pm 0.020 X.X - \pm 0.050 ANGLES - \pm 0.5°	CAD GENERATED DRAWING. DO NOT MANUALLY UPDATE		WELDON TECHNOLOGIES, INC.	
	APPROVALS	DATE		
MATERIAL	DRAWN	TS	9/2/03	7" ROUND TURN SURFACE MOUNT RED / AMBER
FINISH	CHECKED			
DO NOT SCALE DRAWING	QUAL ENG			
PROJ. NO.	MFG ENG			
	SIZE	B	PART NO.	C1000-1100-00
	SCALE:	1:1	WELDON COMPUTER GRAPHICS	SHEET 1 OF 1
			REV.	A