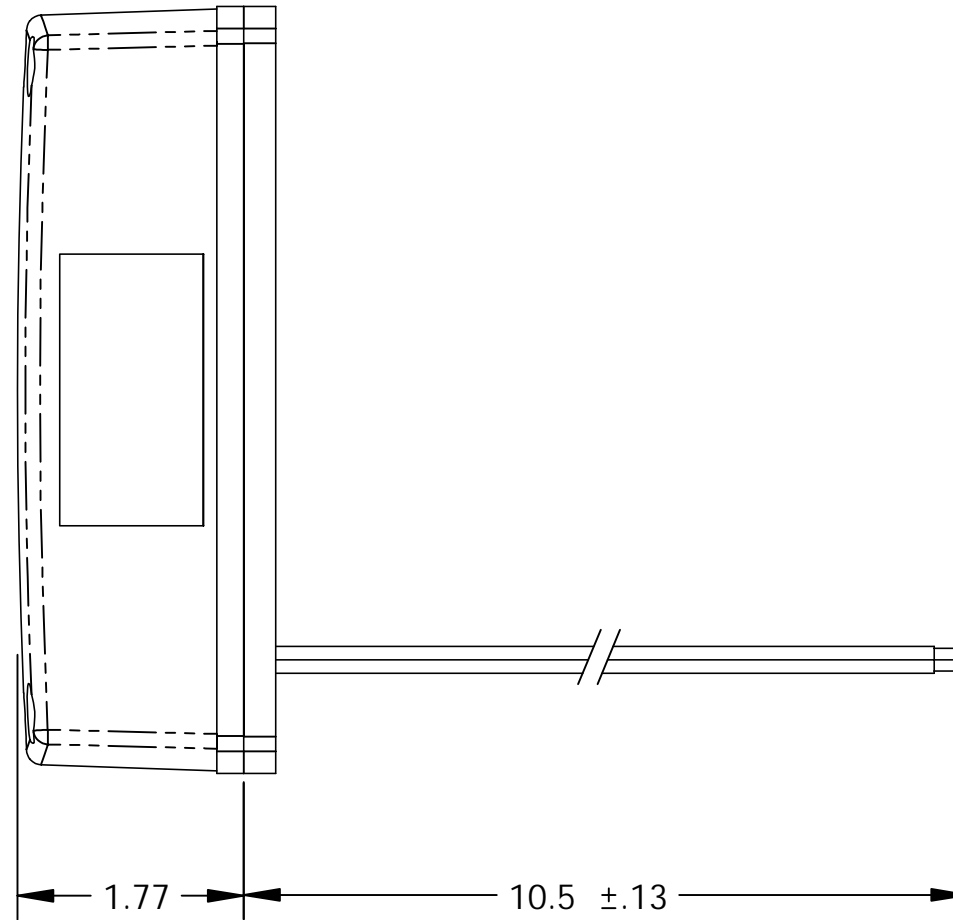
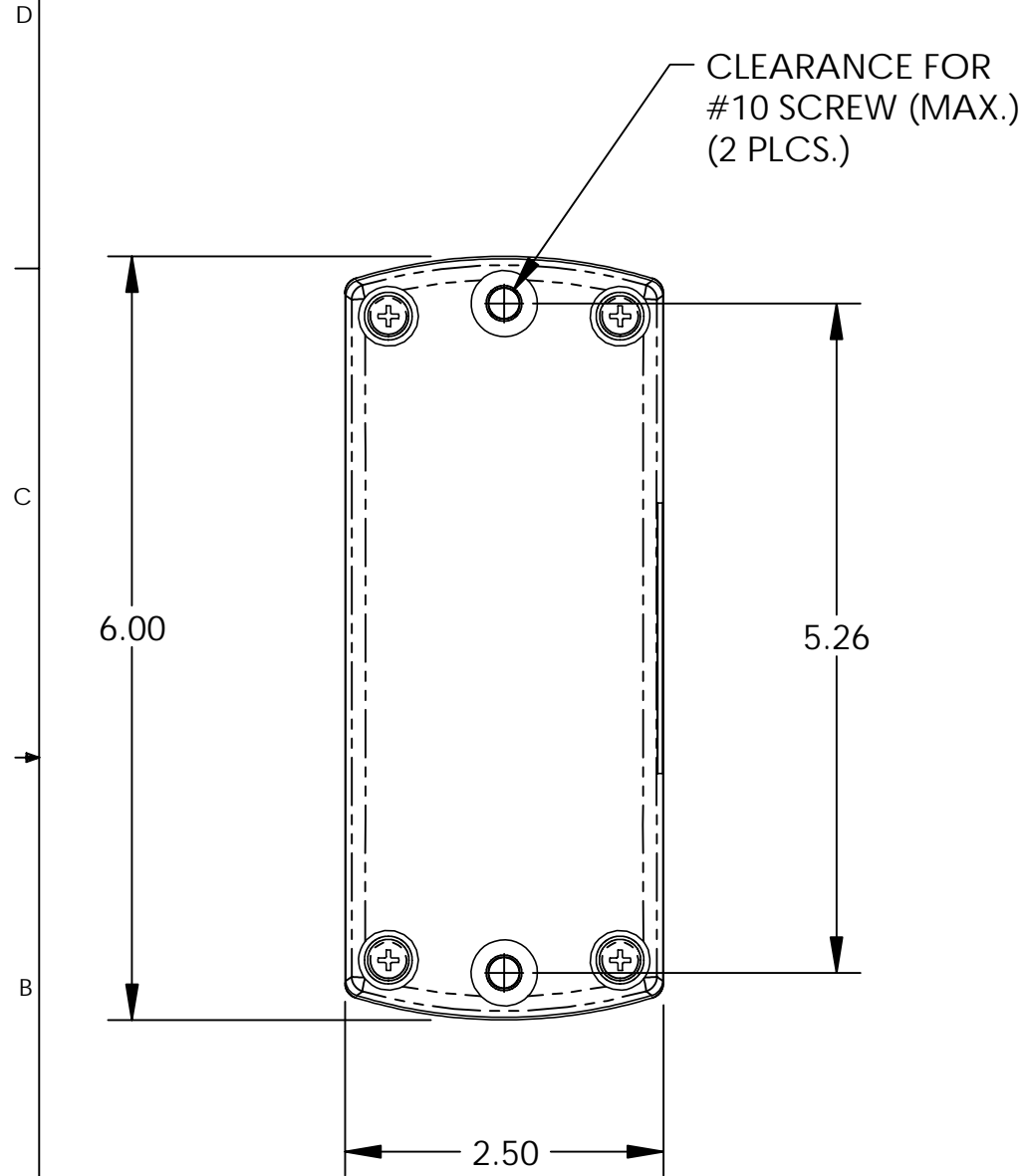


THIS DRAWING AND ALL INFORMATION CONTAINED HEREIN IS THE PROPERTY OF WELDON TECHNOLOGIES, INC. AND MAY NOT BE COPIED, REPRODUCED, OR DEVULGED TO UNAUTHORIZED PERSONS WITHOUT THE EXPRESS WRITTEN CONSENT OF WELDON TECHNOLOGIES, INC. AS IT IS BEING PROVIDED SOLELY FOR THE CONVENIENCE OF THE USER AND SHALL BE RETURNED TO WELDON TECHNOLOGIES, INC UPON REQUEST.

REVISIONS					
REV.	ECN	DESCRIPTION	DATE	BY	APVD
A	0290	DOCUMENTATION RELEASE	6/7/02	ST	ST



WELDON P/N	LENS COLOR	WIRING		NOMINAL VOLTAGE
		PWR.	GND.	
2604-0000-10	RED	RED	BLACK	15 VDC
2604-0000-20	AMBER	RED	BLACK	15 VDC
2604-0000-30	CLEAR	RED	BLACK	15 VDC
2604-0000-40	BLUE	RED	BLACK	15 VDC
2604-0000-50	BULLSEYE RED/CLEAR	RED	BLACK	15 VDC
2604-0000-60	BULLSEYE CLEAR/RED	RED	BLACK	15 VDC
2604-0000-80	BULLSEYE BLUE/CLEAR	RED	BLACK	15 VDC
2604-0024-10	RED	RED	BLACK	28 VDC
2604-0024-20	AMBER	RED	BLACK	28 VDC
2604-0024-30	CLEAR	RED	BLACK	28 VDC
2604-0024-40	BLUE	RED	BLACK	28 VDC
2604-0024-50	BULLSEYE RED/CLEAR	RED	BLACK	28 VDC
2604-0024-60	BULLSEYE CLEAR/RED	RED	BLACK	28 VDC
2604-0024-80	BULLSEYE BLUE/CLEAR	RED	BLACK	28 VDC

NOTES:
1. THIS STROBE CONTAINS NO USER SERVICEABLE PARTS.
RETURN TO WELDON TECHNOLOGIES, INC. FOR REPAIRS.

UNLESS OTHERWISE SPECIFIED DIMENSIONS ARE IN INCHES TOLERANCES ARE: X.XXX - ±0.005 X.XX - ±0.020 X.X - ±0.050 ANGLES - ±0.5°	CAD GENERATED DRAWING, DO NOT MANUALLY UPDATE		WELDON TECHNOLOGIES, INC.	
	APPROVALS	DATE		
	DRAWN	TS 6/7/02	2604 STROBE QUAD FLASH 12/24 VOLT	
	CHECKED	ST 6/7/02		
MATERIAL	QUAL ENG			
FINISH	MFG ENG	SIZE B	PART NO. C2604-0000-00	REV. A
DO NOT SCALE DRAWING	PROJ. NO.	SCALE: 1:1	WELDON COMPUTER GRAPHICS	SHEET 1 OF 1