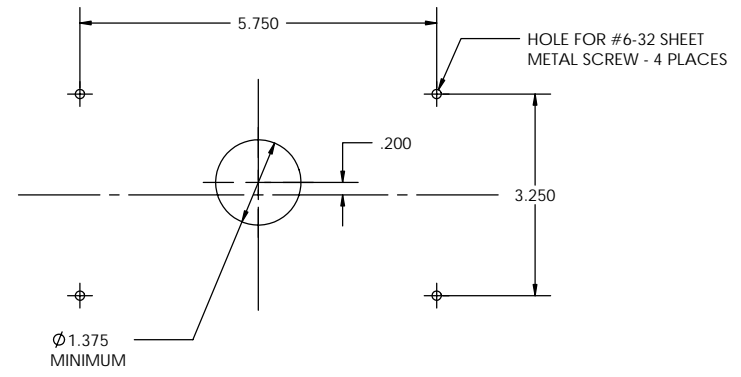
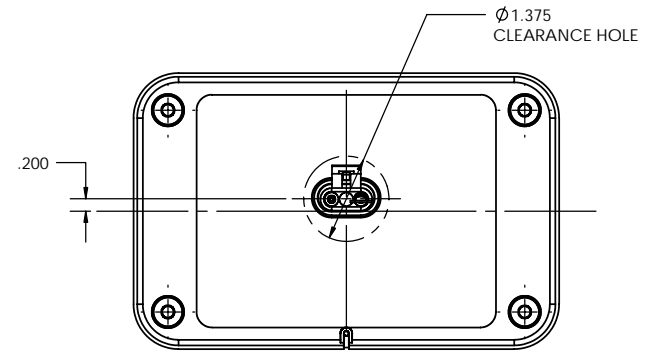
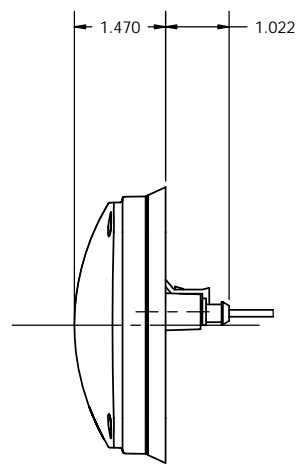
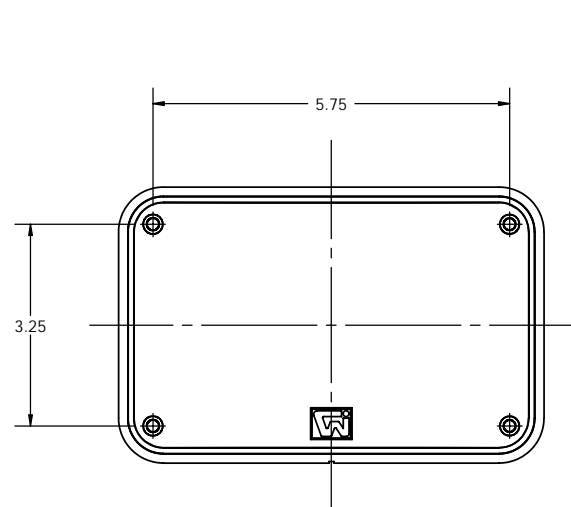


THIS DRAWING AND ALL INFORMATION CONTAINED HEREIN IS THE PROPERTY OF WELDON TECHNOLOGIES, INC. AND MAY NOT BE COPIED, REPRODUCED, OR DEVLGED TO UNAUTHORIZED PERSONS WITHOUT THE EXPRESS WRITTEN CONSENT OF WELDON TECHNOLOGIES, INC. AS IT IS BEING PROVIDED SOLELY FOR THE CONVENIENCE OF THE USER AND SHALL BE RETURNED TO WELDON TECHNOLOGIES, INC. UPON REQUEST.

REVISIONS					
REV.	ECN	DESCRIPTION	DATE	BY	APVD
A	R0250	RELEASE FOR REFERENCE	5/31/01	TB	



**RECOMMENDED PANEL CUT-OUT**

UNLESS OTHERWISE SPECIFIED DIMENSIONS ARE IN INCHES. TOLERANCES ARE: X.XXX - ±0.005 X.XX - ±0.020 X.X - ±0.050 ANGLES - ±0.5°	CAD GENERATED DRAWING. DO NOT MANUALLY UPDATE		<b>WELDON TECHNOLOGIES, INC.</b>	
	APPROVALS	DATE	4670 SERIES PANEL MOUNT	
	DRAWN BARNETT	2/15/01		
	CHECKED			
MATERIAL	QUAL ENG			
FINISH	MFG ENG			
DO NOT SCALE DRAWING	PROJ. NO. 00117	SIZE B	PART NO. 4671 INSTALL DWG	REV.
		SCALE: 1:2	WELDON COMPUTER GRAPHICS SHEET 1 OF 1	