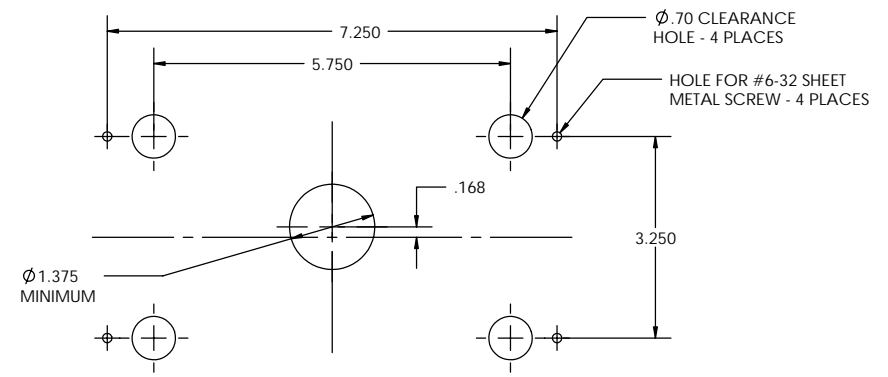
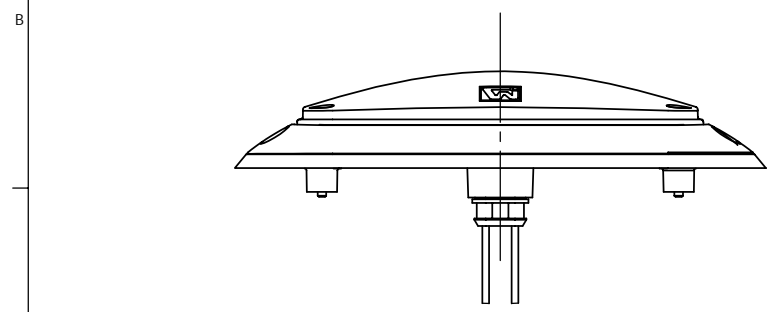
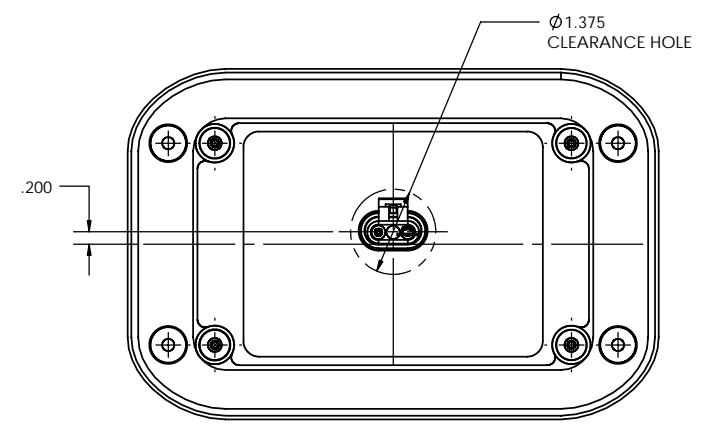
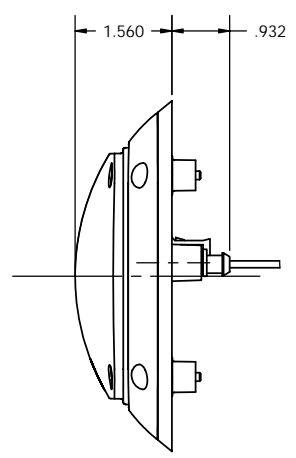
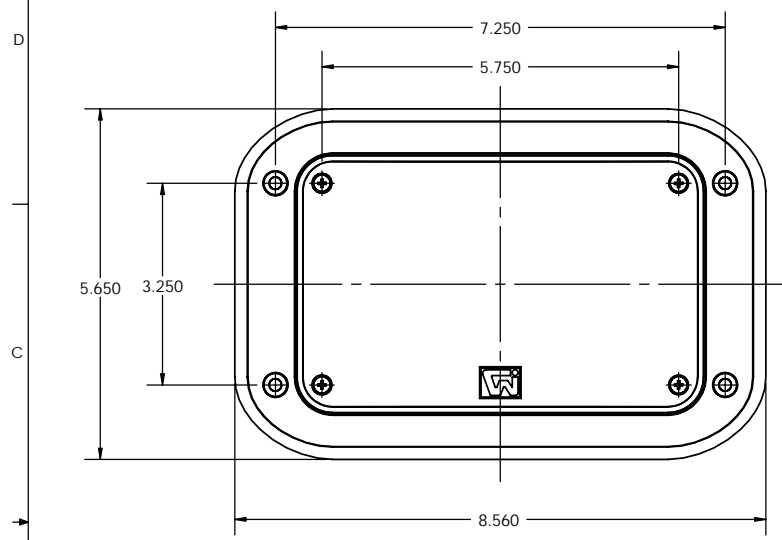


THIS DRAWING AND ALL INFORMATION CONTAINED HEREIN IS THE PROPERTY OF WELDON TECHNOLOGIES, INC. AND MAY NOT BE COPIED, REPRODUCED, OR DEVULGED TO UNAUTHORIZED PERSONS WITHOUT THE EXPRESS WRITTEN CONSENT OF WELDON TECHNOLOGIES, INC. AS IT IS BEING PROVIDED SOLELY FOR THE CONVENIENCE OF THE USER AND SHALL BE RETURNED TO WELDON TECHNOLOGIES, INC. UPON REQUEST.

REVISIONS				
REV.	ECN	DESCRIPTION	DATE	BY / APVD
A	R0250	RELEASE FOR REFERENCE	5/31/01	TB



**RECOMMENDED PANEL CUT-OUT**  
FOR ALTERNATE PANEL CUT-OUT DIMENSIONS  
REFERENCE 46X2, BEZEL MOUNT DRAWING

UNLESS OTHERWISE SPECIFIED DIMENSIONS ARE IN INCHES TOLERANCES ARE: X.XXX - ±0.005 X.XX - ±0.020 X.X - ±0.050 ANGLES - ±0.5°	CAD GENERATED DRAWING. DO NOT MANUALLY UPDATE	<b>WELDON TECHNOLOGIES, INC.</b>	
	APPROVALS	DATE	4670 SERIES BEZEL MOUNT
DRAWN BARNETT	2/15/01		
MATERIAL	CHECKED		PART NO. 4672 INSTALL DWG
FINISH	QUAL ENG		
DO NOT SCALE DRAWING	MFG ENG		REV.
PROJ. NO. 00117	SCALE: 1:2		