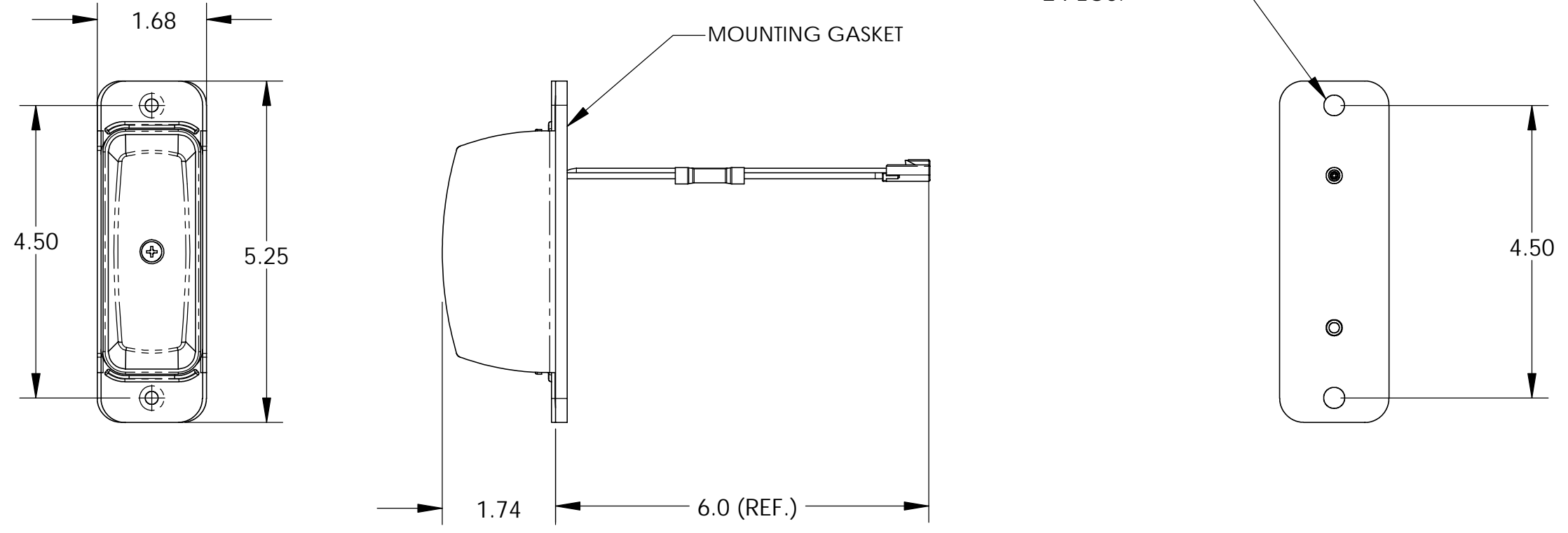


THIS DRAWING AND ALL INFORMATION CONTAINED HEREIN IS THE PROPERTY OF WELDON TECHNOLOGIES, INC. AND MAY NOT BE COPIED, REPRODUCED, OR DEVLGED TO UNAUTHORIZED PERSONS WITHOUT THE EXPRESS WRITTEN CONSENT OF WELDON TECHNOLOGIES, INC. AS IT IS BEING PROVIDED SOLELY FOR THE CONVENIENCE OF THE USER AND SHALL BE RETURNED TO WELDON TECHNOLOGIES, INC UPON REQUEST.

REVISIONS				
REV.	ECN	DESCRIPTION	DATE	BY APVD
A	R0472	PRODUCT RELEASE	2/23/04	TS ST

NOTE:
 BULB - #1895 2CP MINIATURE BAYONET
 LENS SCREW - WTI #9028-0008-00
 RED LENS - WTI #5002-0000-10
 AMBER LENS - WTI #5002-0000-20

USE #10 (MAX.)
 MTG. SCREW
 2 PLCS.



MATING CONNECTOR PART NUMBERS
 ARE AS FOLLOWS:
 CONNECTOR, MALE -----12047663
 TPA-----12047665
 TERMINAL-----12047581 (1.0 - 0.80 CABLE RANGE)
 12059894 (0.50 - 0.35 CABLE RANGE)

Wire Table				
Gauge	Color	Type	Function	Terminal
18	Black	GXL, Stranded	Signal (+)	A
18	White	GXL, Stranded	Ground (-)	B

UNLESS OTHERWISE SPECIFIED DIMENSIONS ARE IN INCHES TOLERANCES ARE: X.XXX - ±0.005 X.XX - ±0.020 X.X - ±0.050 ANGLES - ±0.5°	CAD GENERATED DRAWING, DO NOT MANUALLY UPDATE		WELDON TECHNOLOGIES, INC.		
	APPROVALS	DATE			
	DRAWN	TS	10/31/03	MARKER LIGHT W/SHIELD 2 BULB, W/GND. PACKARD M-P 150	
	CHECKED	ST	11/6/03		
QUAL ENG					
MATERIAL	FINISH	MFG ENG \\CAD_LIB\DWG_LIB\C-DWGS\	SIZE B	PART NO. C5100-1309-00	REV. A
DO NOT SCALE DRAWING	PROJ. NO.		SCALE: NTS	WELDON COMPUTER GRAPHICS SHEET 1 OF 1	