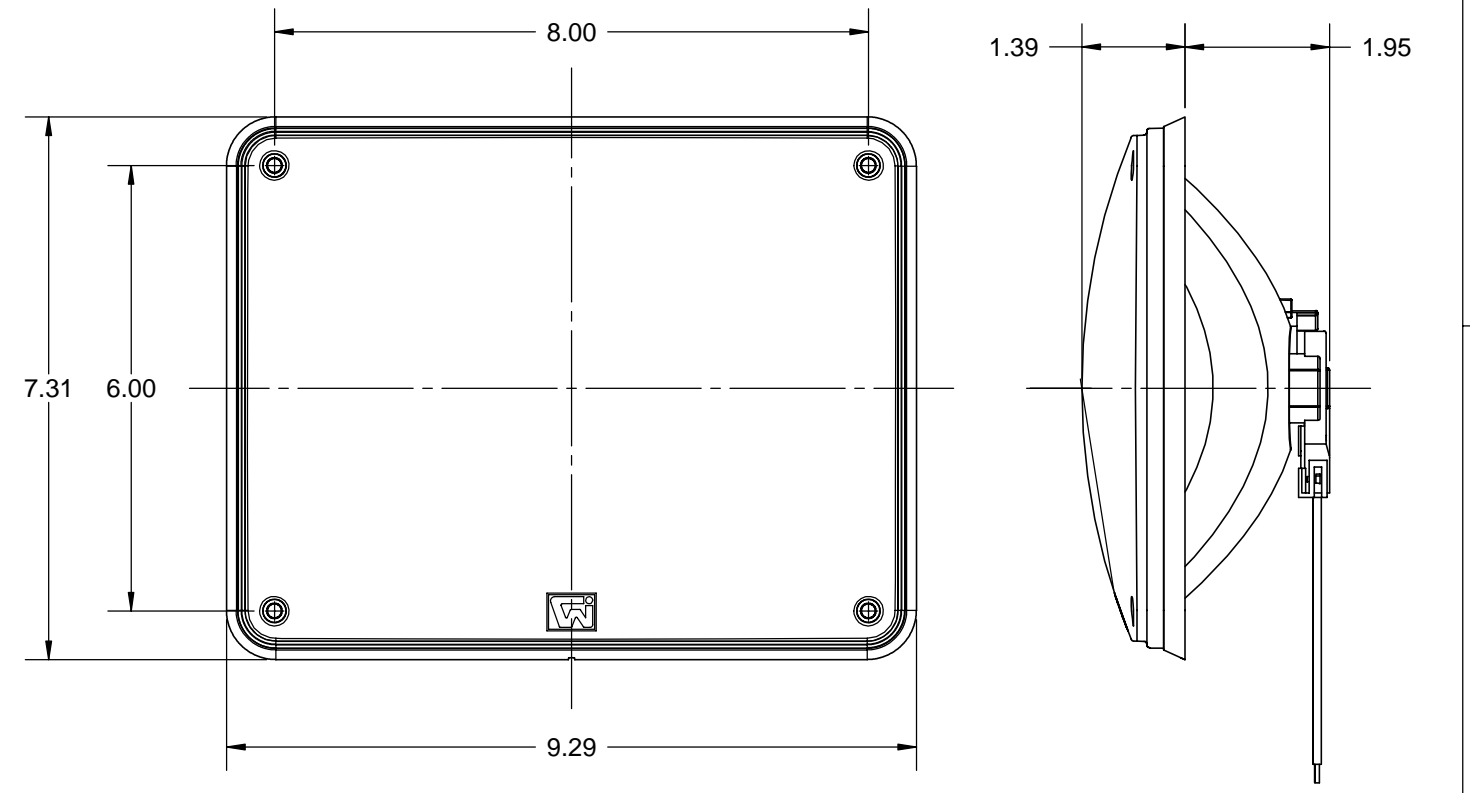
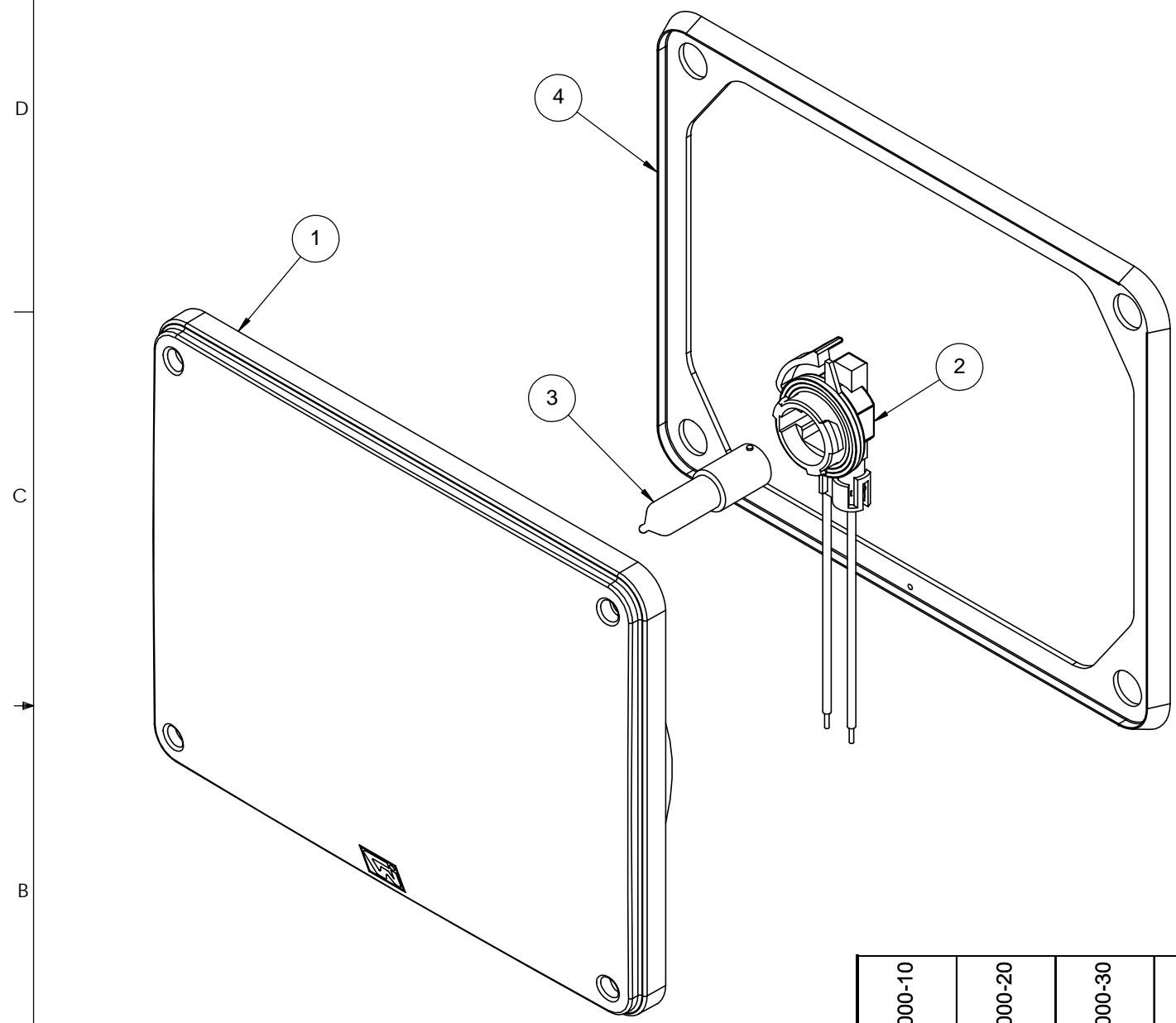


THIS DRAWING AND ALL INFORMATION CONTAINED HEREIN IS THE PROPERTY OF WELDON TECHNOLOGIES, INC. AND MAY NOT BE COPIED, REPRODUCED, OR DEVLGLED TO UNAUTHORIZED PERSONS WITHOUT THE EXPRESS WRITTEN CONSENT OF WELDON TECHNOLOGIES, INC. AS IT IS BEING PROVIDED SOLELY FOR THE CONVENIENCE OF THE USER AND SHALL BE RETURNED TO WELDON TECHNOLOGIES, INC UPON REQUEST.

| REVISIONS | | | | |
|-----------|-----|-----------------------|---------|---------|
| REV. | ECN | DESCRIPTION | DATE | BY APVD |
| A | N/A | DOCUMENTATION RELEASE | 4/14/04 | TS ST |



- NOTES:**
- THIS LAMP ASSEMBLY IS TO COMPLY WITH THE FOLLOWING REQUIREMENTS WHEN COUPLED WITH THE APPROPRIATE FLASHER:
 - NFPA 1901, SECTION 9-8
 - GSA-KKK-A-1822 REVISION "E"
 - LENS AND BEZEL MOUNTING HARDWARE IS INCLUDED WITH THE LAMP. USE OF HARDWARE OTHER THAN THAT SUPPLIED MAY VOID THE PRODUCT WARRANTY.
 - LAMP MUST BE MOUNTED TO A FLAT, VERTICAL SURFACE FOR PROPER SEALING AND PHOTOMETRIC PERFORMANCE.
 - LAMP MODEL NUMBERS:
 - 7811-0000-10: RED WARNING
 - 7811-0000-20: AMBER WARNING
 - 7811-0000-30: CLEAR WARNING
 - 7811-0000-33: SCENE
 - 7811-0000-40: BLUE WARNING

- SPECIFICATIONS:**
- INPUT VOLTAGE RANGE: 9-32VDC
 - RED WIRE: +BATT CONNECTION, WHITE WIRE: GROUND.
 - OPERATING TEMP: -40 TO +55C
 - LENS MATERIAL IS AUTOMOTIVE GRADE POLYCARBONATE MEETING SAE WEATHERING REQUIREMENTS.
 - CURRENT DRAW:

| ITEM | PART NUMBER | DESCRIPTION | 7811-0000-10 | 7811-0000-20 | 7811-0000-30 | 7811-0000-33 | 7811-0000-40 |
|------|--------------|------------------------------|--------------|--------------|--------------|--------------|--------------|
| 1 | 0C90-1138-10 | LENS/REFLECTOR ASSY, RED | 1 | -- | -- | -- | -- |
| 1 | 0C90-1138-20 | LENS/REFLECTOR ASSY, AMBER | -- | 1 | -- | -- | -- |
| 1 | 0C90-1138-30 | LENS/REFLECTOR ASSY, CLEAR | -- | -- | 1 | -- | -- |
| 1 | 0C90-1138-33 | LENS/REFLECTOR ASSY, SCENE | -- | -- | -- | 1 | -- |
| 1 | 0C90-1138-40 | LENS/REFLECTOR ASSY, BLUE | -- | -- | -- | -- | 1 |
| 2 | 0K90-0336-00 | SOCKET ASSY, SINGLE FILAMENT | 1 | 1 | 1 | 1 | 1 |
| 3 | 0E22-0327-00 | BULB, HALOGEN - #795X | 1 | 1 | 1 | 1 | 1 |
| 4 | 0D30-1137-00 | MOUNTING PAD | 1 | 1 | 1 | 1 | 1 |
| 5 | 0F29-0329-00 | PILL, MOUNTING SCREW | 1 | 1 | 1 | 1 | 1 |

| | | | |
|---|---|----------|---------------------------------------|
| UNLESS OTHERWISE SPECIFIED DIMENSIONS ARE IN INCHES TOLERANCES ARE: X.XXX - ±0.005 X.XX - ±0.020 X.X - ±0.050 ANGLES - ±0.5° | CAD GENERATED DRAWING, DO NOT MANUALLY UPDATE | | WELDON TECHNOLOGIES, INC. |
| | APPROVALS | DATE | |
| MATERIAL | DRAWN | TS | 4/14/04 |
| FINISH | CHECKED | | |
| DO NOT SCALE DRAWING | FILE LOCATION: ...CAD_LIB\DWG_LIB\C-DWGS\ | QUAL ENG | |
| | PROJ. NO. | 00120-2 | PART NO. C7811-0000-00 |
| | SCALE: | 1:1 | WELDON COMPUTER GRAPHICS SHEET 1 OF 1 |