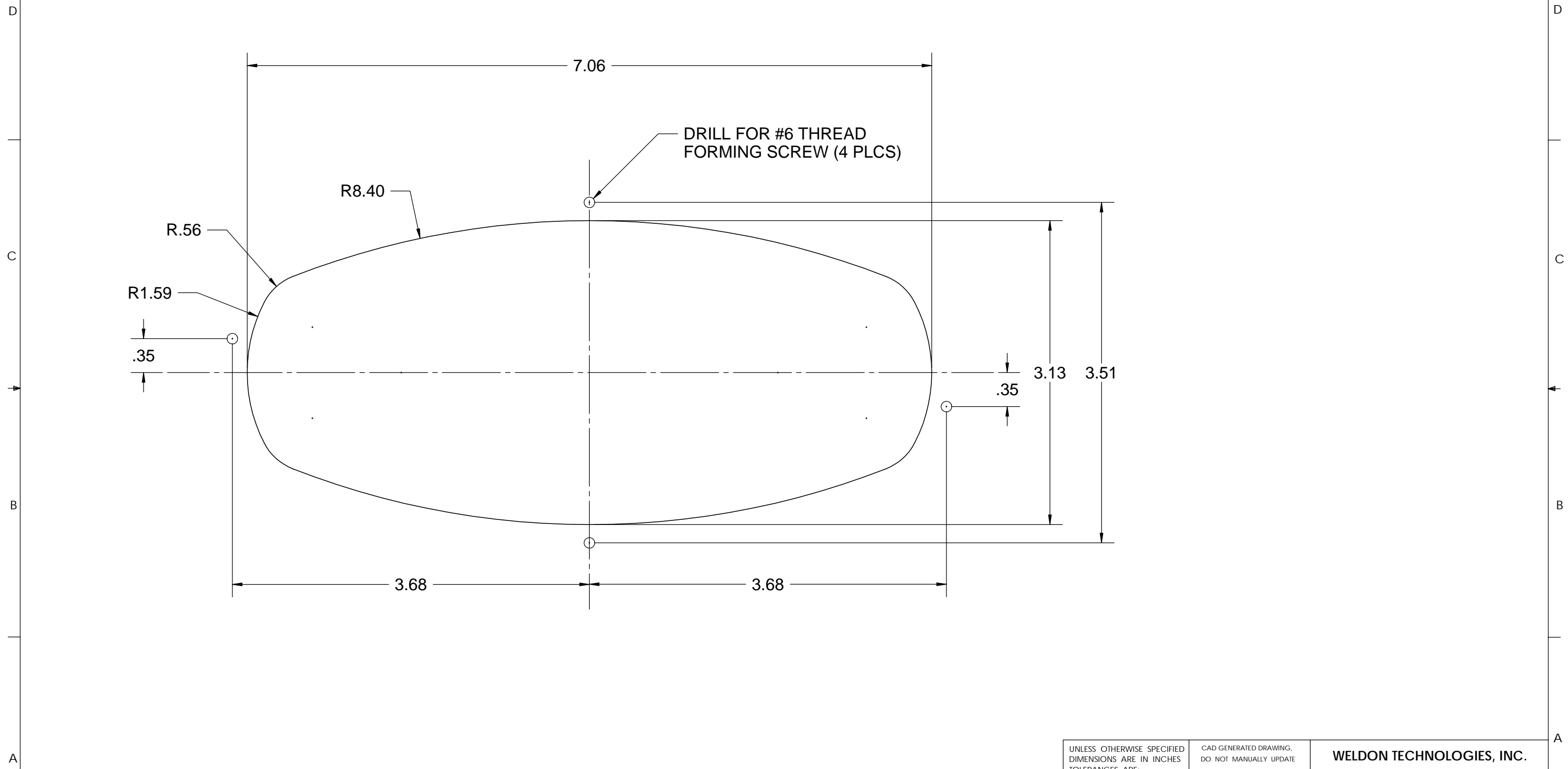


8 7 6 5 4 3 2 1

THIS DRAWING AND ALL INFORMATION CONTAINED HEREIN IS THE PROPERTY OF WELDON TECHNOLOGIES, INC. AND MAY NOT BE COPIED, REPRODUCED, OR DEVULGED TO UNAUTHORIZED PERSONS WITHOUT THE EXPRESS WRITTEN CONSENT OF WELDON TECHNOLOGIES, INC. AS IT IS BEING PROVIDED SOLELY FOR THE CONVENIENCE OF THE USER AND SHALL BE RETURNED TO WELDON TECHNOLOGIES, INC UPON REQUEST.

| REVISIONS | | | | | |
|-----------|-----|---------------------------------|---------|----|------|
| REV. | ECN | DESCRIPTION | DATE | BY | APVD |
| 3 | | PRELIMINARY RELEASE TO CUSTOMER | 4/13/99 | ST | |
| 4 | | RELEASE FOR PIERCE SIGN-OFF | 4/14/99 | ST | |



| | | | | | |
|--|--|---|--|--|--|
| UNLESS OTHERWISE SPECIFIED DIMENSIONS ARE IN INCHES TOLERANCES ARE: X.XXX - ±0.005 X.XX - ±0.020 X.X - ±0.050 ANGLES - ±0.5° | | CAD GENERATED DRAWING, DO NOT MANUALLY UPDATE | | WELDON TECHNOLOGIES, INC. | |
| APPROVALS | | DATE | | | |
| DRAWN ST | | 4/13/99 | | 8080-6978-68 PIERCE DOME LAMP CUT TEMPLATE | |
| CHECKED | | | | | |
| QUAL ENG | | | | | |
| FINISH | | MFG ENG | | SIZE B | |
| DO NOT SCALE DRAWING | | PROJ. NO. 00115 | | REV. 4 | |
| SCALE: 1:1 | | WELDON COMPUTER GRAPHICS | | SHEET 1 OF 1 | |