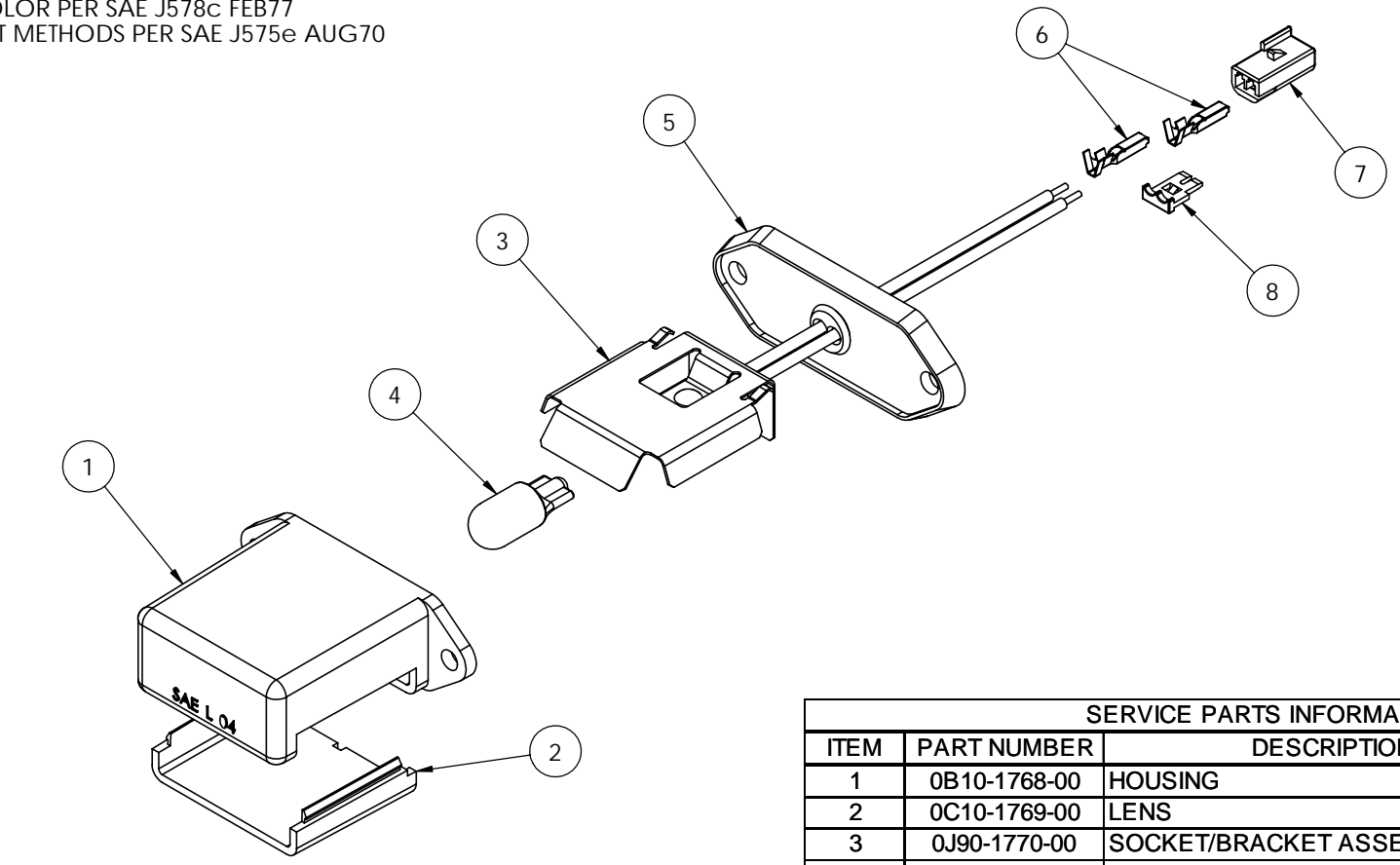
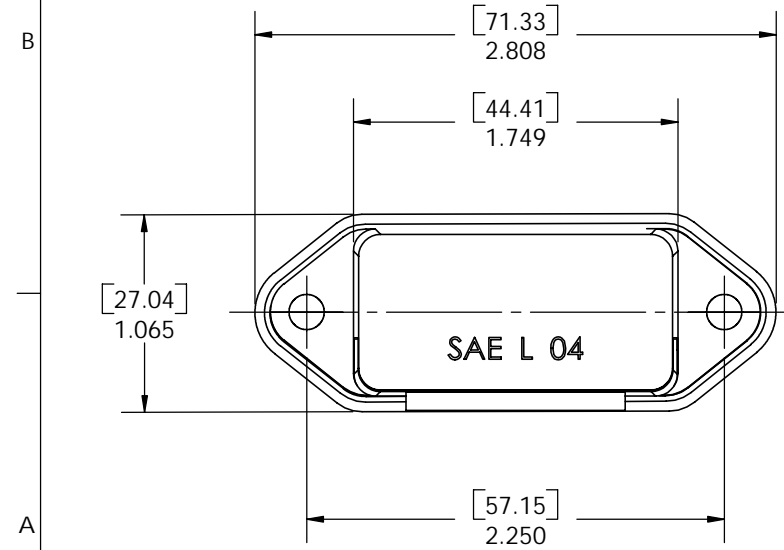
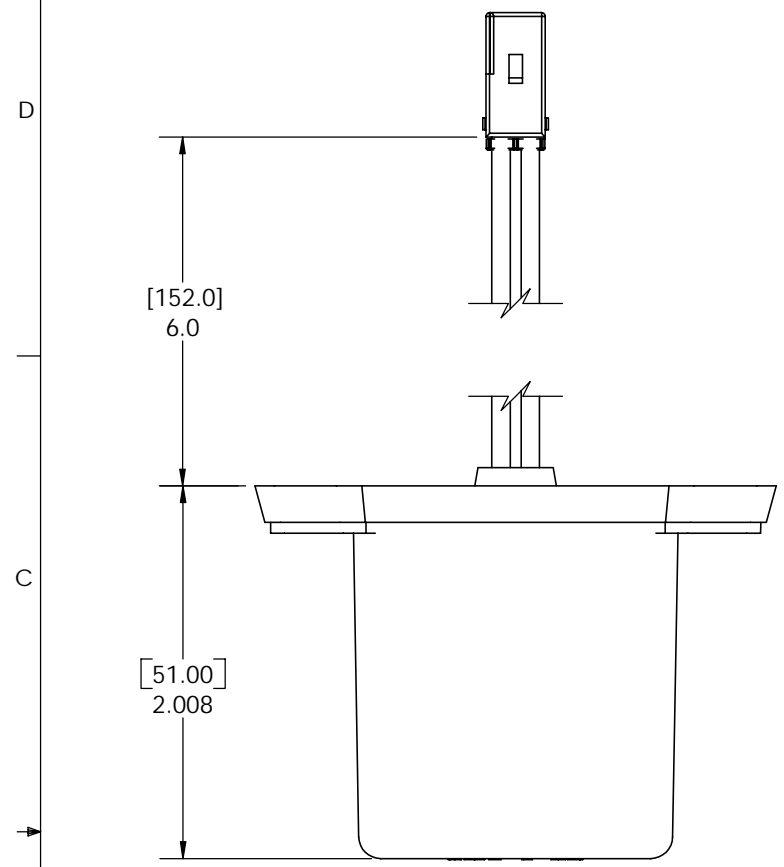


THIS DRAWING AND ALL INFORMATION CONTAINED HEREIN IS THE PROPERTY OF WELDON TECHNOLOGIES, INC. AND MAY NOT BE COPIED, REPRODUCED, OR DIVULGED TO UNAUTHORIZED PERSONS WITHOUT THE EXPRESS WRITTEN CONSENT OF WELDON TECHNOLOGIES, INC. AS IT IS BEING PROVIDED SOLELY FOR THE CONVENIENCE OF THE USER AND SHALL BE RETURNED TO WELDON TECHNOLOGIES, INC UPON REQUEST.

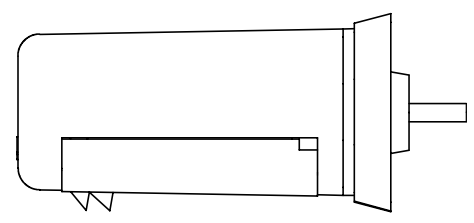
REVISIONS				
REV.	ECN	DESCRIPTION	DATE	BY APVD
A	R0569	RELEASE FOR REFERENCE	12/20/04	TB ST

REGULATORY NOTES:
 1. THIS LAMP ASSEMBLY MUST COMPLY WITH FMVSS 108 AND ANY SAE STANDARD REFERENCED THEREIN WITH RESPECT TO THE FOLLOWING:
 A.) LICENSE PLATE LAMPS PER SAE J587 OCT81
 B.) PLASTIC MATERIALS PER SAE J576 JUL91
 C.) COLOR PER SAE J578c FEB77
 D.) TEST METHODS PER SAE J575e AUG70



SERVICE PARTS INFORMATION				
ITEM	PART NUMBER	DESCRIPTION	REV.	QTY.
1	0B10-1768-00	HOUSING	A	1
2	0C10-1769-00	LENS	A	1
3	0J90-1770-00	SOCKET/BRACKET ASSEMBLY	A	1
4	9018-0032-00	BULB, #168	--	1
5	0D30-1772-00	MOUNTING PAD	A	1
6	0K21-1714-00	TERMINAL, DELPHI # 12047767	--	2
7	0K15-1715-00	CONNECTOR, DELPHI # 12047662	--	1

WIRING INFORMATION			
CONN.	DELPHI NO.	FUNCTION	WIRE COLOR
J1	12047662	POWER (+)	BLACK
		GROUND (-)	WHITE



UNLESS OTHERWISE SPECIFIED DIMENSIONS ARE IN INCHES TOLERANCES ARE: X.XXX - ±0.005 X.XX - ±0.020 X.X - ±0.050 ANGLES - ±0.5°	CAD GENERATED DRAWING, DO NOT MANUALLY UPDATE		WELDON TECHNOLOGIES, INC.	
	APPROVALS	DATE		
	DRAWN BARNETT	12/2/04	CUSTOMER DRAWING LICENSE LAMP	
	CHECKED ST	12/2/04		
MATERIAL	QUAL ENG	SIZE B	PART NO. C8101-0100-30	REV.
FINISH	MFG ENG	SCALE: 1:1	WELDON COMPUTER GRAPHICS	SHEET 1 OF 1
DO NOT SCALE DRAWING	PROJ. NO. 00155			