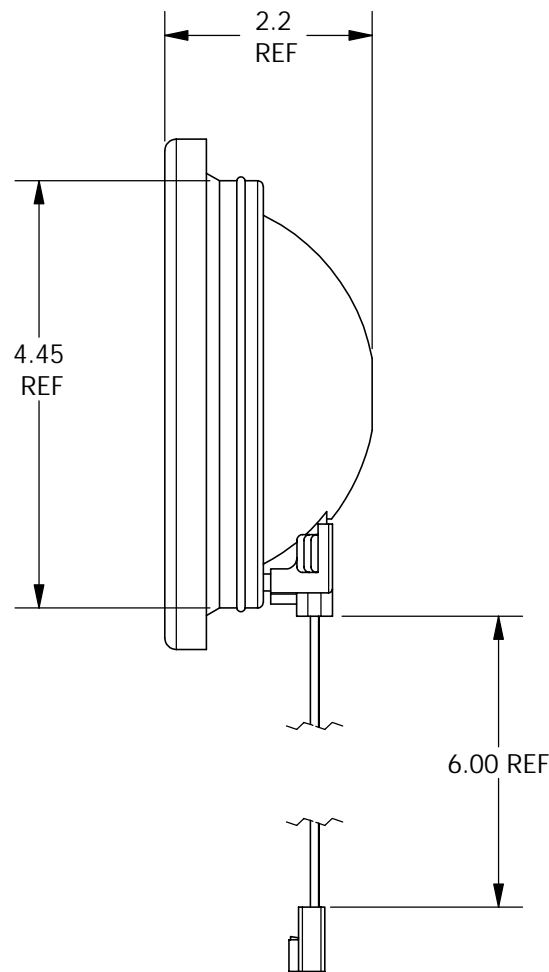
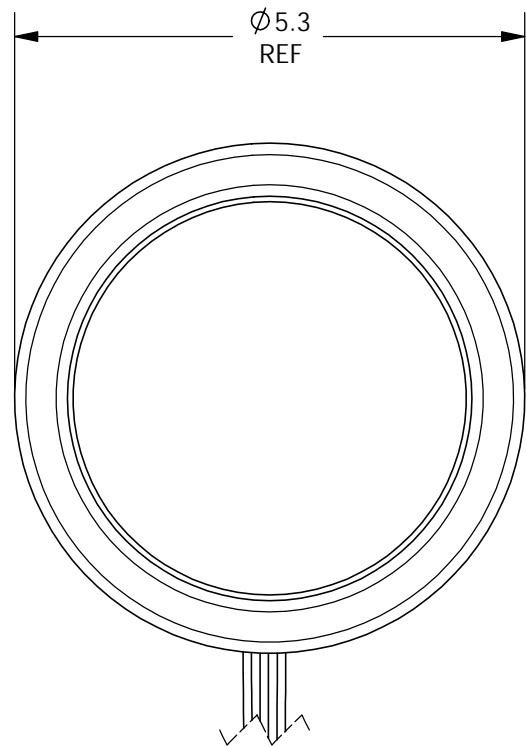
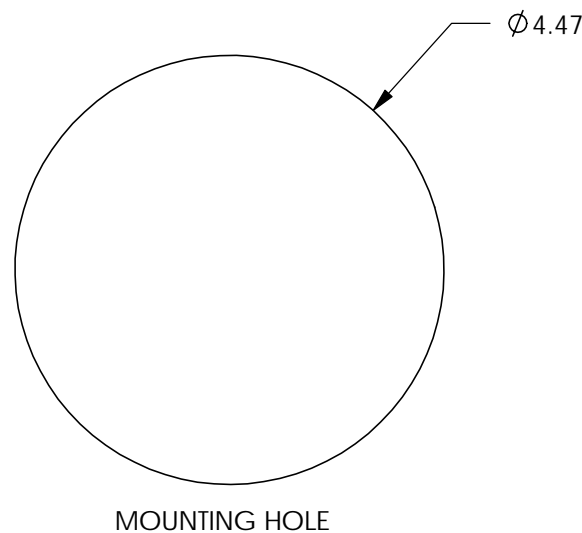
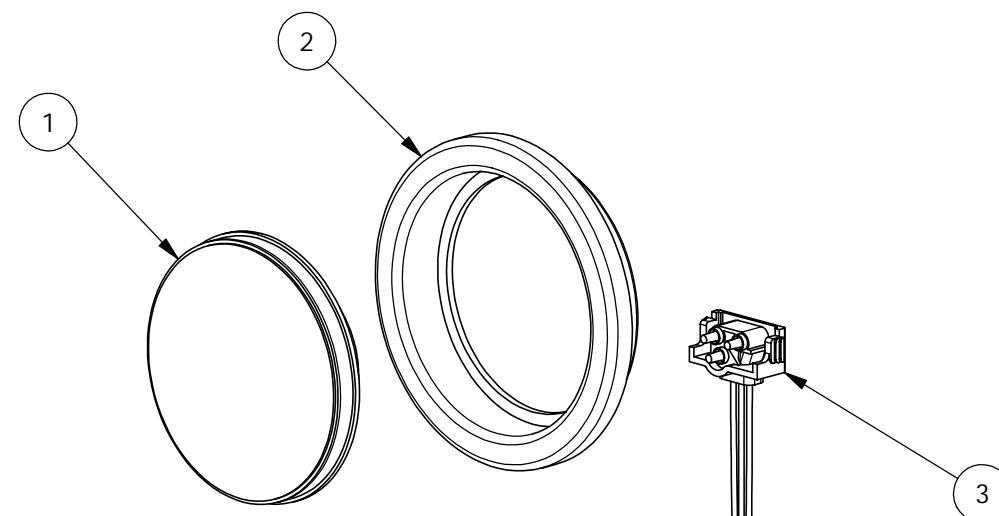


THIS DRAWING AND ALL INFORMATION CONTAINED HEREIN IS THE PROPERTY OF WELDON TECHNOLOGIES, INC. AND MAY NOT BE COPIED, REPRODUCED, OR DEVLGED TO UNAUTHORIZED PERSONS WITHOUT THE EXPRESS WRITTEN CONSENT OF WELDON TECHNOLOGIES, INC. AS IT IS BEING PROVIDED SOLELY FOR THE CONVENIENCE OF THE USER AND SHALL BE RETURNED TO WELDON TECHNOLOGIES, INC UPON REQUEST.

REVISIONS					
REV.	ECN	DESCRIPTION	DATE	BY	APVD
A	R0513	RELEASE	3/26/04	ST	ST
B	0599	DELPHI CONNECTOR PINNING CHANGED; POSITION "A" WAS STOP, POSITION "B" WAS TAIL; PER TBB 103153 REV B.	2/25/05	ST	ST



ITEM	PART NO.	REV.	DESCRIPTION	QTY
1	0M30-1740-10	--	STOP/TAIL LAMP MODULE, 4" SEALED	1
2	0D70-1744-00	--	GROMMET, 4" ROUND, BLACK PVC	1
3	0L40-1743-00	B	PLUG ASSEMBY, 3-WIRE, METRI-PACK .150	1



NOTES:

- THIS LAMP ASSEMBLY IS TO COMPLY WITH FMVSS 108 AND ANY SAE STANDARDS REFERENCED THEREIN WITH RESPECT TO THE FOLLOWING:
  - A.) STOP LAMPS (OVER 80") PER SAE J1398 MAY85
  - B.) TAIL LAMPS PER SAE J585e SEP77
  - C.) TURN SIGNAL LAMPS (OVER 80") PER SAE J1395 APR85
  - D.) LENS MATERIALS PER SAE J576 JUL91
  - E.) COLOR PER SAE J578c FEB77
  - F.) TEST REQUIREMENTS PER SAE J575e AUG70
- ELECTRICAL FUNCTION:
  - WHITE WIRE - GROUND
  - RED WIRE - STOP (MAJOR FILAMENT)
  - BLACK WIRE - TAIL (MINOR FILAMENT)
- MASTER CARTON PACK: 50

REFERENCE (PACKARD):  
 CONN = 12047781  
 TERM. = 12047767  
 TPA = 12047783

MATES WITH:  
 CONN = 12047782  
 TERM = 12047581  
 TPA = 12047784

REFERENCE:  
 A = TAIL (BLACK)  
 B = STOP (RED)  
 C = GROUND (WHITE)

UNLESS OTHERWISE SPECIFIED DIMENSIONS ARE IN INCHES TOLERANCES ARE: X.XXX - ±0.005 X.XX - ±0.020 X.X - ±0.050 ANGLES - ±0.5°		CAD GENERATED DRAWING, DO NOT MANUALLY UPDATE		<b>WELDON TECHNOLOGIES, INC.</b>	
MATERIAL		APPROVALS	DATE		
FINISH		DRAWN	ST	3/26/04	STOP/TAIL LAMP KIT 4" ROUND, RECESSED
DO NOT SCALE DRAWING		CHECKED	ST	3/26/04	
SIZE B	PART NO.	PROJ. NO.	SCALE:	1:2	WELDON COMPUTER GRAPHICS SHEET 1 OF 1
	C9186-5300KR				