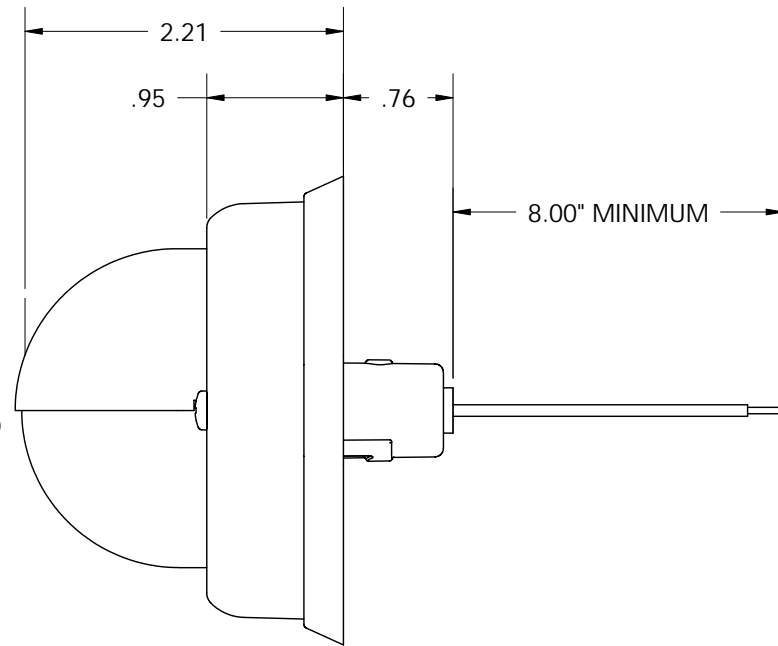
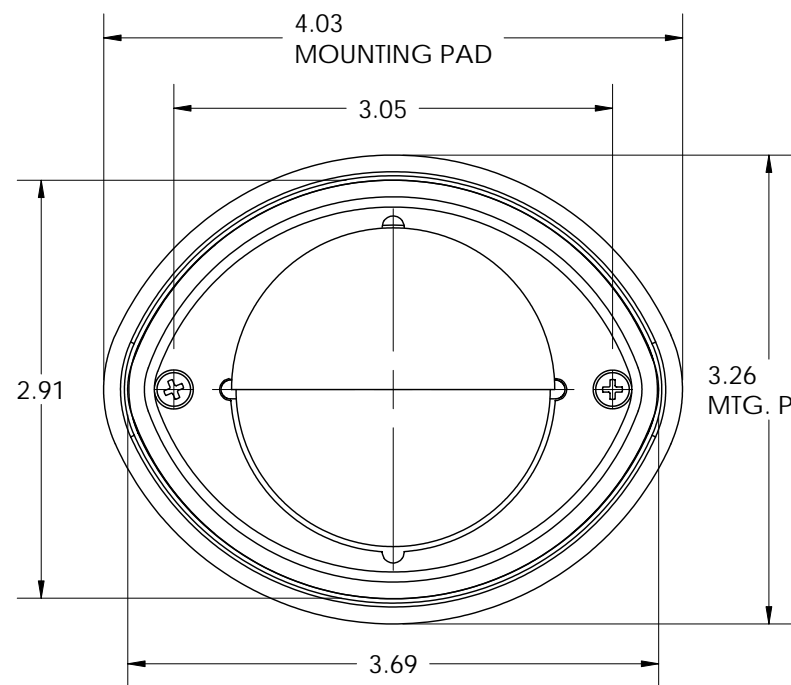


THIS DRAWING AND ALL INFORMATION CONTAINED HEREIN IS THE PROPERTY OF WELDON TECHNOLOGIES, INC. AND MAY NOT BE COPIED, REPRODUCED, OR DEVALGUED TO UNAUTHORIZED PERSONS WITHOUT THE EXPRESS WRITTEN CONSENT OF WELDON TECHNOLOGIES, INC. AS IT IS BEING PROVIDED SOLELY FOR THE CONVENIENCE OF THE USER AND SHALL BE RETURNED TO WELDON TECHNOLOGIES, INC UPON REQUEST.

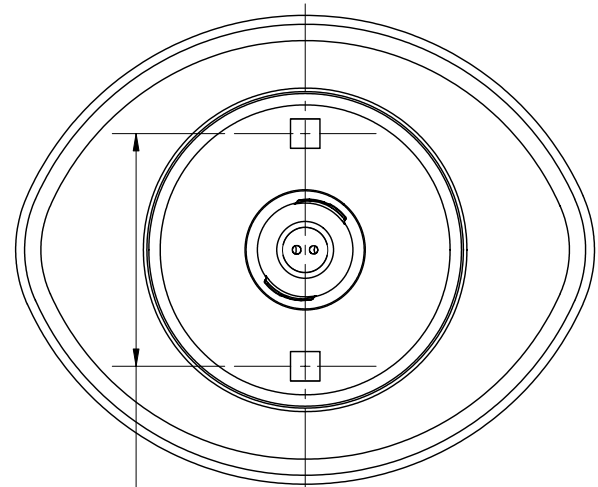
REVISIONS					
REV.	ECN	DESCRIPTION	DATE	BY	APVD
A	R0116	RELEASE FOR PRODUCTION	5/22/00	TB	ST
B	0141	MOUNTING PAD WAS EPDM FOAM GASKET	7/12/00	TB	ST
C	0181	LENS WAS POLYCARBONATE; LENS GASKET WAS EPDM; ADDED SERVICE P/N'S	11/28/00	ST	

D
C
B
A

D
C
B
A

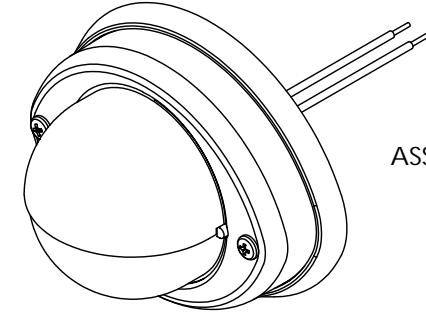
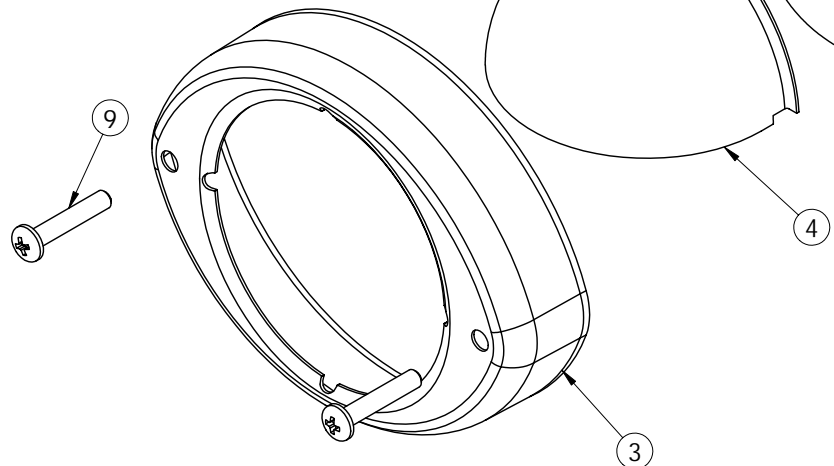


ITEM	DESCRIPTION	Service P/N	MATERIAL	QTY.	QTY.
1	HOUSING	n/a	STEEL, ZINC PLATED W/ CLEAR CHROMATE	1	1
2	LENS	0C63-1180-00	GLASS, CLEAR - NO OPTIC	1	1
3	BEZEL	0B50-1179-00	STAINLESS STEEL, POLISHED	1	1
4	SHIELD	0C20-1178-00	STAINLESS STEEL, POLISHED	1	1
5	LENS GASKET	0D10-1176-00	SILICON RUBBER, WHITE	1	1
6	MOUNTING PAD	0D30-1092-00	PLASTICIZED (FLEXIBLE) PVC, BLACK	1	1
7	BULB - 32 CP	1076	LAMP #1076, DUAL CONTACT/SINGLE FILAMENT	1	--
7	BULB - 21 CP	1142	LAMP #1142, DUAL CONTACT/SINGLE FILAMENT	--	1
8	PIGTAIL	n/a	DUAL WIRE PIGTAIL WIRE - 18 GAGE GPT, ONE BLACK/ ONE WHITE TERMINAL - BUTTON CONTACT, BRASS SPRING - STEEL, ZINC PLATE W/ CLEAR CHROMATE INSULATOR - NYLON 6, BLACK WIRE SEAL - SBR RUBBER, BLACK	1	1
9	LENS SCREW	0F15-1177-00	STAINLESS STEEL, PASSIVATED	2	2



1.62
MOUNTING
HOLES

BOTTOM VIEW



ASSEMBLED VIEW

- NOTES:
 1. ASSEMBLE ITEMS 1 THROUGH 9 AS SHOWN.
 2. PERFORM ELECTRICAL TEST ON LAMP TO INSURE PROPER OPERATION OF THE LAMP ASSEMBLY.
 3. LAMP ASSEMBLY TO CONFORM TO WELDON PERFORMANCE SPECIFICATIONS.

UNLESS OTHERWISE SPECIFIED DIMENSIONS ARE IN INCHES TOLERANCES ARE: X.XXX - ±0.005 X.XX - ±0.020 X.X - ±0.050 ANGLES - ±0.5°	CAD GENERATED DRAWING, DO NOT MANUALLY UPDATE		WELDON TECHNOLOGIES, INC.	
	APPROVALS	DATE		
MATERIAL	DRAWN BARNETT	5/5/00	STEPWELL LAMP ASSEMBLY WITH GROUND WIRE	
FINISH	CHECKED S.Tillinghast	5/26/00		
DO NOT SCALE DRAWING	PROJ. NO.	00144	SIZE B	PART NO. 9186-8563-30
			SCALE: NONE	WELDON COMPUTER GRAPHICS SHEET 1 OF 1