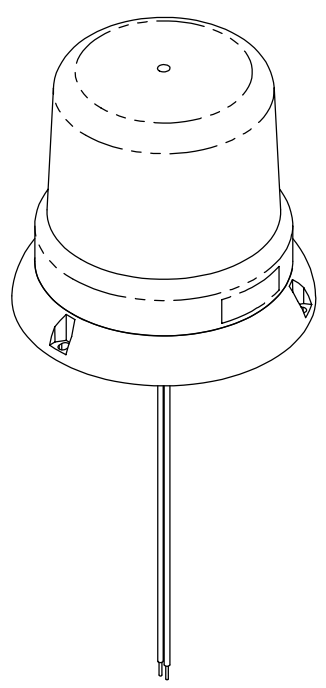
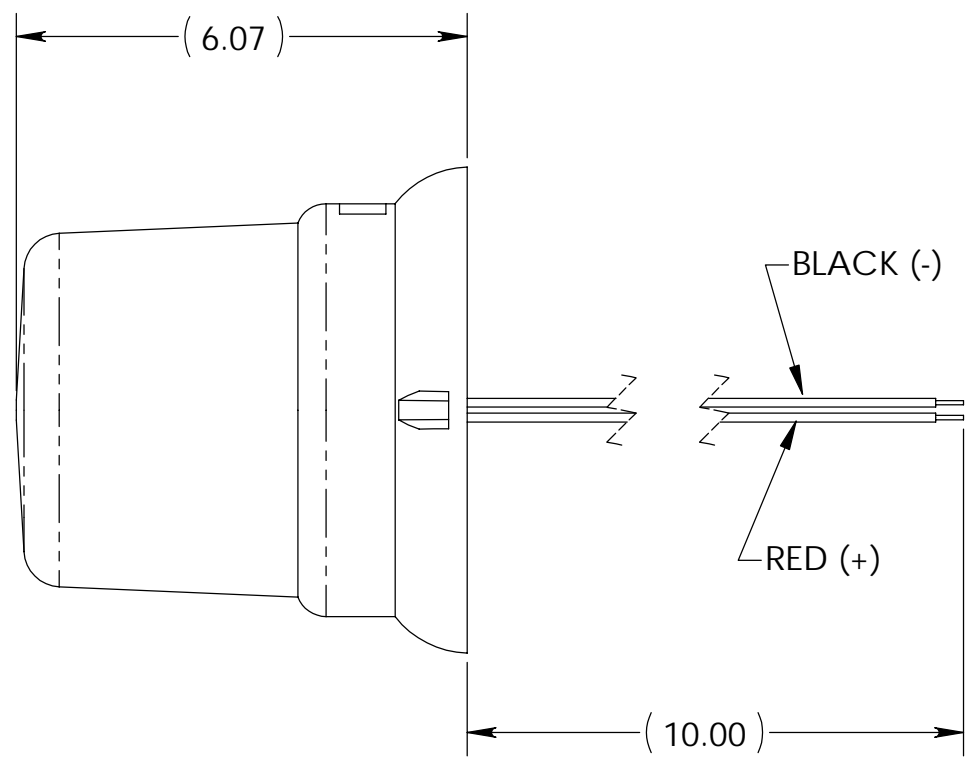
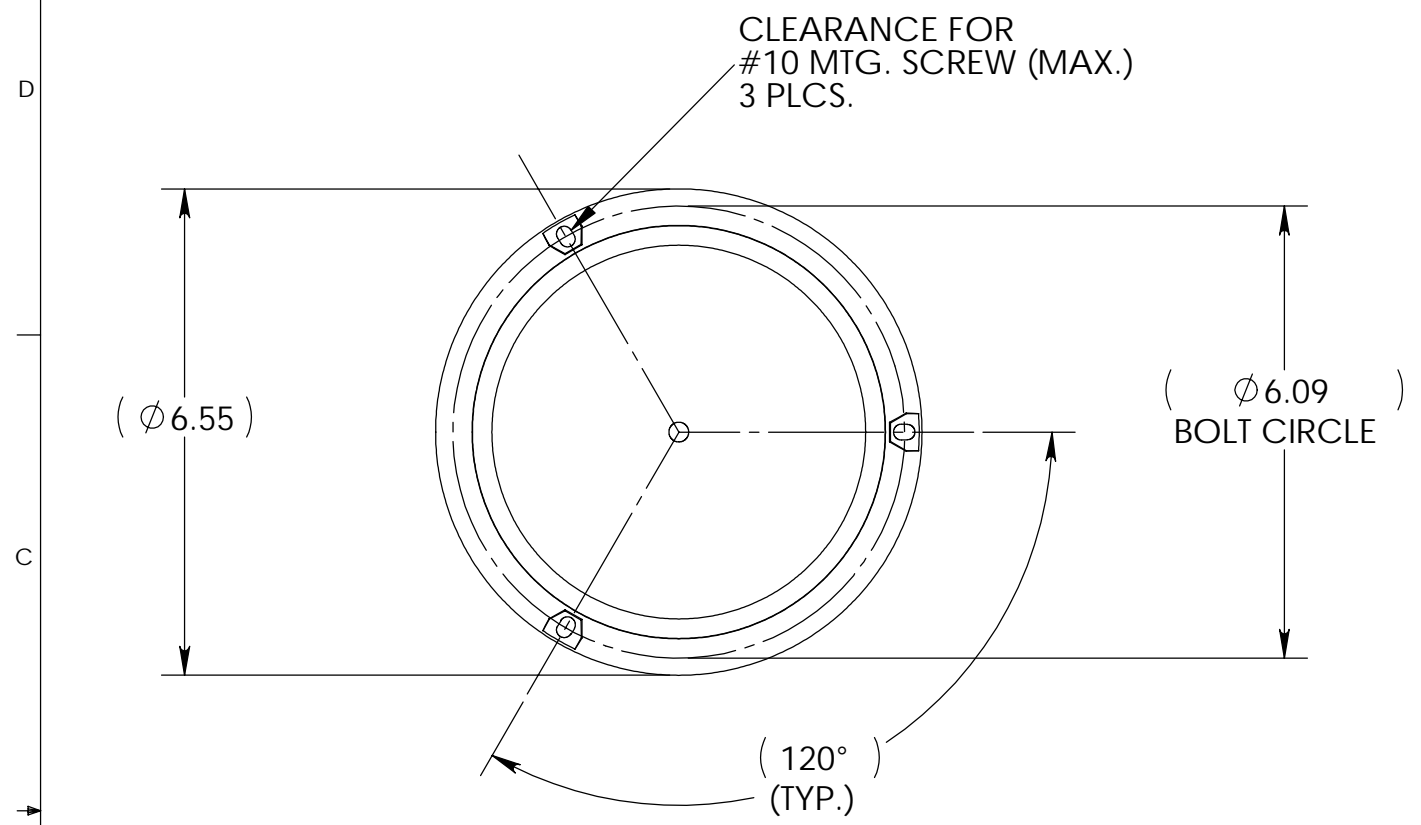


THIS DRAWING AND ALL INFORMATION CONTAINED HEREIN IS THE PROPERTY OF WELDON TECHNOLOGIES, INC. AND MAY NOT BE COPIED, REPRODUCED, OR DEVLGED TO UNAUTHORIZED PERSONS WITHOUT THE EXPRESS WRITTEN CONSENT OF WELDON TECHNOLOGIES, INC. AS IT IS BEING PROVIDED SOLELY FOR THE CONVENIENCE OF THE USER AND SHALL BE RETURNED TO WELDON TECHNOLOGIES, INC UPON REQUEST.

REVISIONS				
REV.	ECN	DESCRIPTION	DATE	BY APVD
A	R0509	PRODUCT RELEASE	3/15/04	TS ST



Part Number	Description	Replacement Lens	Replacement Bulb
9188-2060-10	Rotator - Halogen, Red	0C61-1733-00	795X 12V, 50W, Halogen
9188-2060-20	Rotator - Halogen, Amber	0C62-1733-00	795X 12V, 50W, Halogen
9188-2060-30	Rotator - Halogen, Clear	0C63-1733-00	795X 12V, 50W, Halogen
9188-2060-40	Rotator - Halogen, Blue	0C64-1733-00	795X 12V, 50W, Halogen

UNLESS OTHERWISE SPECIFIED DIMENSIONS ARE IN INCHES
TOLERANCES ARE:
X.XXX - ±0.005
X.XX - ±0.020
X.X - ±0.050
ANGLES - ±0.5°

CAD GENERATED DRAWING.
DO NOT MANUALLY UPDATE

APPROVALS	DATE
DRAWN TS	3/12/04
CHECKED ST	3/15/04
QUAL ENG	
MFG ENG	

DO NOT SCALE DRAWING

WELDON TECHNOLOGIES, INC.

**CUSTOMER DRAWING
ROTATOR - HALOGEN**

SIZE B	PART NO. C9188-2060-00	REV. A
SCALE: NTS	WELDON COMPUTER GRAPHICS SHEET 1 OF 1	