



7" Round, Single V-LED Stop, Tail, Turn, and Backup Lights 1017-9000 Series

Designed for long-term service and low lifecycle costs, Weldon's 1017-9000 Series offers the best of both worlds —combining the benefits of Weldon's patented V-LED technology in a traditional look. As the industry's only serviceable, maintainable, and upgradable stop, tail, turn, and backup light, it is loaded with value-added features that reduce maintenance expenses and vehicle downtime, while enhancing signaling and visibility through optimized light control. Some of the key features/benefits include:

- Replaceable cover lens serviceable on the vehicle
- Upgradeable V-LED
- Single V-LED design
- Low power consumption/amperage draw



1017-9000-30



1017-9000-10



1017-9000-20

LOW AMPERAGE DRAW/LOW POWER CONSUMPTION

- Weldon's patented V-LED technology allows extraordinary brightness and signaling power with **low current draw**.
- V-LED threaded mounting design, combined with a die-cast aluminum heat sink, provides excellent heat extraction from the LEDs.

RETROFIT FOR TECHNOLOGY UPGRADE

- Mounts to all existing 7" bolt patterns for **easy retrofit**.

SIMPLIFIED MAINTENANCE & REDUCED VEHICLE DOWNTIME

- **Serviceable and replaceable cover lens** eliminates the time and expense of replacing an entire unit if broken.
- Attached by four screws, the **cover lens can be replaced while on the vehicle** (i.e. eliminating the need to remove the light from the vehicle.)

UPGRADEABLE/REPLACEABLE LEDs

- **V-LED diodes are field upgradeable**, which allows the user to reap the benefits of future LED technologies without reinvesting in a complete fixture.

RUGGED AND DURABLE CONSTRUCTION

- **Scratch-Resistant Acrylic Lens** provides **UV resistance** and improved clarity.
- Threaded V-LED design results in superior **vibration resistance**.
- Solid, die-cast aluminum base prevents rust.

MOISTURE PROTECTION

- Dual layers of gaskets prevent moisture intrusion into LED and electronics.

SAFETY

- **Instant on/off** for improved visibility and safety.

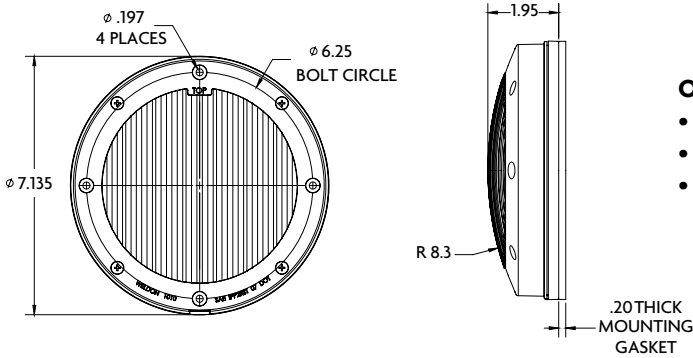
OVERVIEW

- Single, Upgradeable V-LED
- Serviceable & Replaceable Cover Lens
- Easy Retrofit
- Low Power Consumption
- Reduced Maintenance & Vehicle Downtime
- Low Lifecycle Cost
- FMVSS108 Compliant
- Green Technology
- 5 Year Warranty



Specifications:

Weldon model 1017-9000 7" diameter, round LED stop, tail, turn, backup light shall be provided. It shall incorporate V-LED technology utilizing a single LED that is replaceable and upgradeable. LEDs shall be field serviceable and upgradeable. Cover lens shall be removable and replaceable without removing the lamp from the vehicle.



Other Technical Specifications

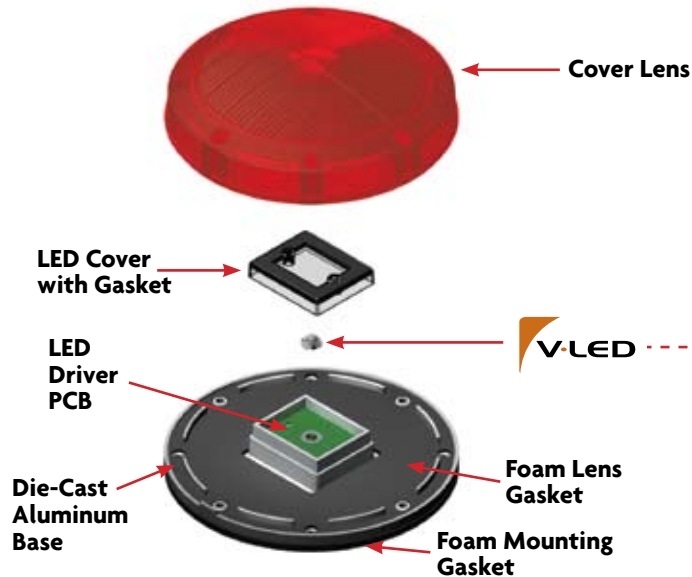
- Dimensions: 7.14" Diameter x 1.95" Depth
- Wires: 2 Bare Wires
- Wire Length: 8.5"

Part Number	Description
1017-9000-10	Stop & Tail, Single V-LED, 7" Round, Red Lens
1017-9000-20	Turn & Park, Single V-LED, 7" Round, Amber Lens
1017-9000-30	Backup, Single V-LED, 7" Round, Clear Lens

Serviceability & Maintainability
Cover Lens Easily Replaced with Four Screws



Easy Retrofit
Fits Standard Bolt Pattern for Easy Retrofit



V-LED Technology

Weldon's patented V-LED threaded mounted design provides the **most efficient thermal management in the industry**, allowing extraordinary brightness with the lowest current draw. As an added benefit, field upgradable V-LED diodes allow the user to stay current with LED technology without replacing lamp head.



Patented V-LED design allows replacement of LEDs

www.weldoninc.com

