



8" Round V-LED Interior Dome Light

8049 Recessed & 8047 Surface Mount

Utilizing Weldon's patented V-LED technology, the 8049 interior dome light delivers highly precise optical distribution patterns, exceptional lumen intensity, thermal efficiency, and low power consumption. As an added benefit, the V-LED diodes are field upgradeable, which allows the user to reap the benefits of future LED technologies without reinvesting in a complete fixture.

Building upon the solid structure of the V-LED platform, the 8049 combines a die-cast aluminum heat sink and a stainless steel pan to produce the most rugged, durable, and reliable dome light in the industry. For those seeking performance, quality, and long-term value the 8049 series is rock solid.



8049-0000-30

RETROFIT FOR TECHNOLOGY UPGRADE

- Ideal solution for **replacing older technology**, including the industry standard 8046 halogen dome.

LOW POWER CONSUMPTION /LOW HEAT GENERATION

- Highly efficient electronic circuitry **reduces current draw**—only 10 watts power consumption; .78 Amps @12.8 volts. **Lowest energy consumption** in industry.
- Patented V-LED threaded mounting design, combined with a die-cast aluminum heat sink, provides excellent heat extraction from the LEDs.

LUMEN INTENSITY/OPTIMIZED LIGHT CONTROL

- 8 high powered V-LED diodes **engineered to optimize output intensity** of 750 lumens.
- Reaches and sustains **full brightness** at lower voltage than competitive products.
- **High/Low Intensity and dimmable** for (PWM) Pulse With Modulation and use of PWM** converter.
- Two layers of specialized lenses produce **rectangular patterns that focus the light down the length of the patient and critical working areas**—rather than flooding the overall compartment or sacrificing patient comfort.

RUGGED AND DURABLE CONSTRUCTION

- Stainless steel pan and screws.
- Moisture and vibration resistant.

OCCUPANT COMFORT

- Flush mount design increases medic headroom.
- Lowest heat generation inside the ambulance compartment.
- Diffused light output **eliminates harsh light and shadows**.

WHAT'S NEW?

- Increased Lumens
- Deeper Pan for Flush Mount Design
- Enhanced Light Diffusion
- Upgradeable V-LED Diodes
- Replaceable Lens

OVERVIEW

- 750 Optimized Lumens
- Lowest Heat Generation
- Solid Construction
- Aesthetically-Pleasing
- V-LED Technology
- Low Overall Lifecycle Cost
- Low Power Consumption
- Green Technology
- GSA-KKK Compliant*
- 5 Year Warranty



* Meets GSA-KKK specifications when properly installed.

** Available dimmer module controls 2 separate lamp channels independently and provides theater-type intensity transition along with PWM input stabilization needed to remove flicker from some vehicle control systems.



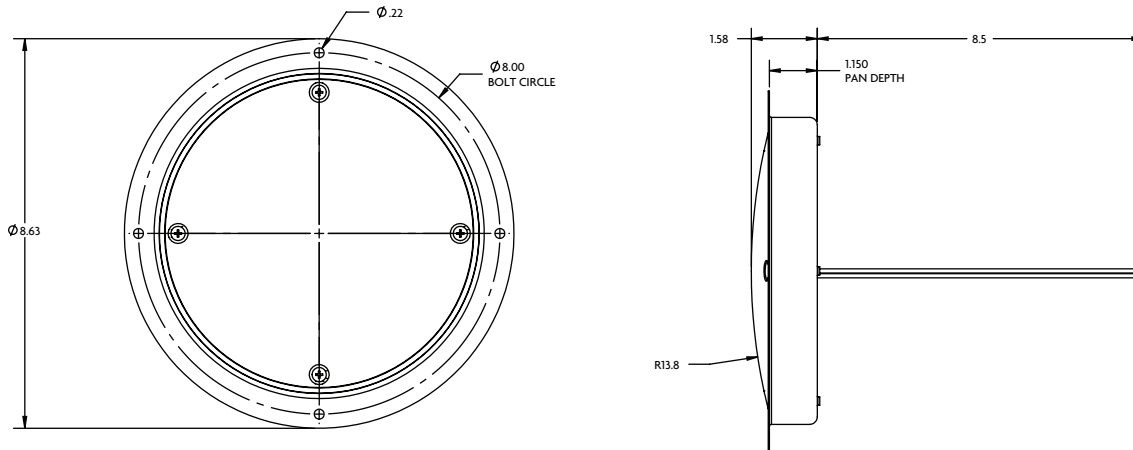
WELDON
A DIVISION OF AKRON BRASS

Specifications:

Weldon model 8049 8" diameter, round LED interior dome light shall be provided.

When properly installed, the light shall meet GSA-KKK illumination requirements at cot and floor. Light shall have a stainless steel recessed housing and draw 0.85 amps at 12 volts.

Lamp shall incorporate V-LED technology LEDs with no exception, and have a high and low operation mode. Lens and LEDs shall be field serviceable and upgradeable.



Order Nos.	Description	Material/Finish	Amp Draw 12 V (High/Low)
8049-0000-30	Recessed, 8 White LEDs, clear lens (WHITE)	Stainless Steel Polished	.85/.06
8049-0001-30	Recessed, 8 White LEDs, clear lens (WHITE)	Stainless Steel/ White, powder coat	.85/.06
8049-0000-10	Recessed, 8 Red LEDs, red lens (RED)	Stainless Steel Polished	.65/.05
8049-0001-10	Recessed, 8 Red LEDs, red lens (RED)	Stainless Steel/ White, powder coat	.65/.05
ON80-2485-00	PWM Converter Module		

See Series 8047 in Weldon catalog for surface mount (without pan).

V-LED Technology

Weldon's patented V-LED threaded mounted design provides the **most efficient thermal management in the industry**, allowing extraordinary brightness with the lowest current draw. As an added benefit, field upgradeable V-LED diodes allow the user to stay current with LED technology without replacing lamp head.



Patented V-LED design allows replacement of LEDs

www.weldoninc.com



WELDON
A DIVISION OF AKRON BRASS

ISO 9001: 2000 Registered Company
In U.S./International
Weldon, a division of
Akron Brass

PH: 614.529.7230
PH: 800.989.2718
FAX: 614.527.3547

PH: 800.989.2718 | Fax: 614.527.3547 | www.weldoninc.com

© Copyright 2010 Akron Brass Company. All rights reserved. No portion of this can be reproduced without the express written consent of the Akron Brass Company. (07/10)

3565 Paragon Drive
Columbus, OH 43228